



LED Wall Pack Lamp 30W

Item No. : CCT-WP-030



Product Features

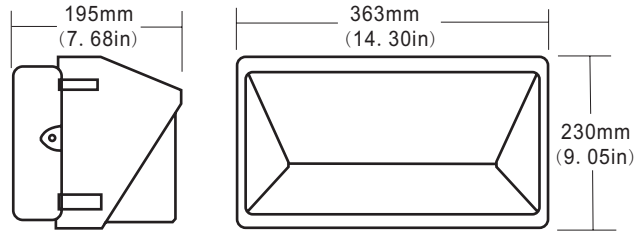
- ◆ Beam angle: 120 degrees
- ◆ Aluminum fins heat sinks is good for heat dissipation
- ◆ It's major to replace the conventiona wall pack light
- ◆ Green, energy saving, long and reliable life of 50,000 hours
- ◆ No RF interference, No IR/UV radiation ,no mercury pollution
- ◆ Wide colour availability in degrees Kelvin(K),2700-6700K
- ◆ Streamline exterior design, beautiful appearance
- ◆ Environment friendly ,energy saving (70~80%)
- ◆ Special circuit design, each LED work separately, avoiding the single broken LED influence problem

Technical Specifications

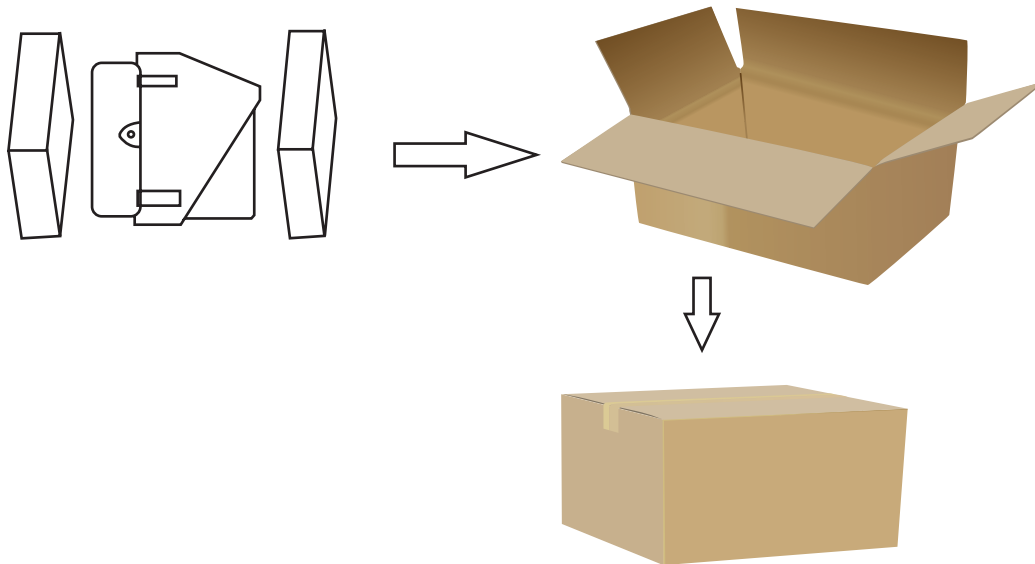
Rated Power	30W
Input Voltage	100-277VAC / 50-60Hz
Certificate	CE ROHS
PF	>0.95
Power Efficiency	>88%
Beam Angle	120°C
Light Source/Count	110pcs 5630 SMD LED / Samsung LED
Lamp Base	2 pin wires
LED Luminous Efficiency	>90lm/w
Luminous Flux	2700 lm ±10%
Color Temperature Standard	Warm White: 2,700 ~3,500 K
	Natural White: 4,000~5,000 K
	Cool White: 5,500~6,700K
Color Rendering Index(CRI)	Ra>80
LED Emitter Life	50,000hours
Replacement	HPS 90W
Applications	Lighting building facades, loading areas,garages,custom applications ,etc ...
Operating Temperature	- 40 ~ 45°C
The Dimensions	363*230*195mm
N. W	4.25kg
Packing	1pc/Box
Packing Size (L*W*H)	410 * 270 * 230 cm



Mechanical Specification



Package



Packaging unit	Dimensions (L * W * H)	Volume weight
1pc / Box	410*270*230mm	7.5kg

Application



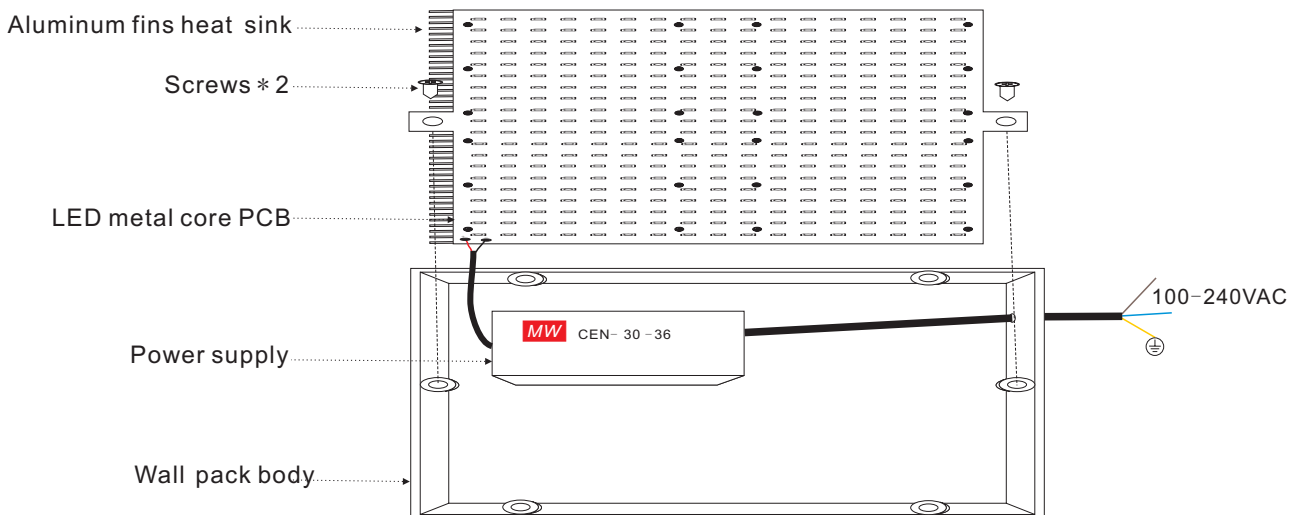


LED RETROFIT FOR WALL PACK

- ◆ How the fixture looks after the installation of the LED retrofit plate into a canopy fixture
- ◆ No wall pack cutting - Fast Installation, No Leaks
- ◆ It has now been converted from a high energy consuming HID system to an energy saving LED, providing a green solution and allowing you to recycle and retrofit your existing fixture.
- ◆ It's as simple as 1, 2, 3. Ready to go.....



Typical Canopy Light Retrofit



Environment

Body Temperature



Ta = 25°C

Tc. Max : 60°C

Working Temp.	-20 ~ 45°C
Working Humidity	<80% RH, (non-condensing)
Storage Temp., Humidity	-40 ~ 55°C, <90% RH

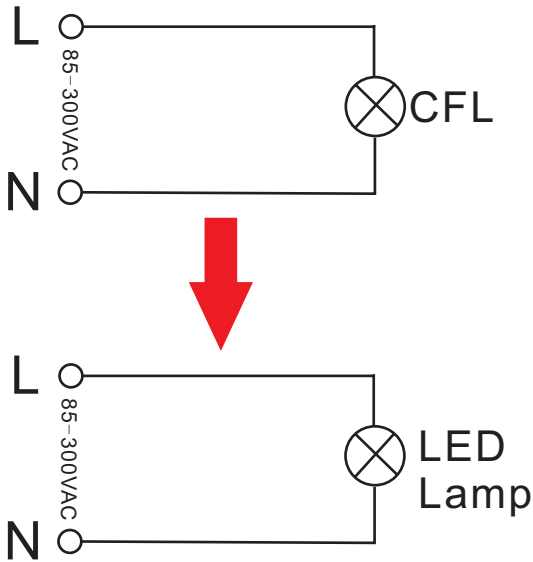
Cautions: No unventilated application

- ✦ Application in enclosed fixtures may speed up lumen depreciation and shorten lamp life. ①

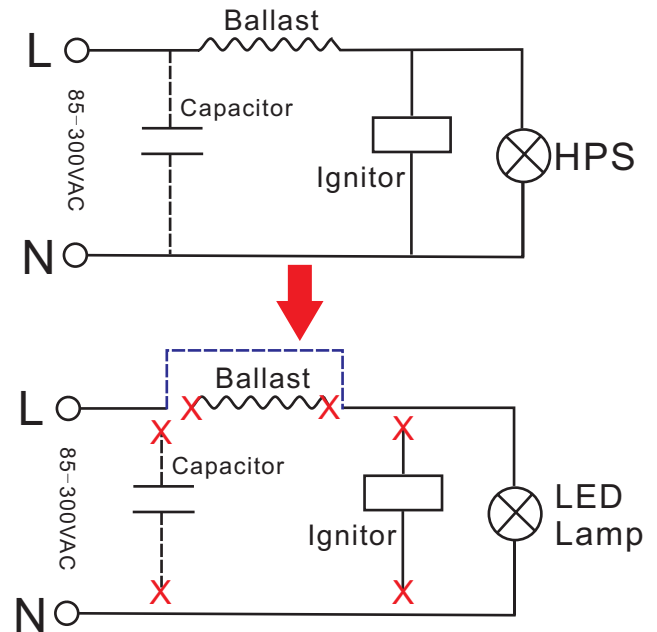


Installation

Replace CFL



Replace HPS



The lamp will be directly fixed on the ceiling as shown below with the mounting hardware during installation.



Note:

- ✧ Don't take the LED lamp apart
- ✧ The LED lamp must work under the right voltage according to the specification
- ✧ Not suitable for dimmers or electronic switches or remote controls