



## 360° LED Torch Lamp 60W

Item No : CCT-TLHD-006



### Product Features

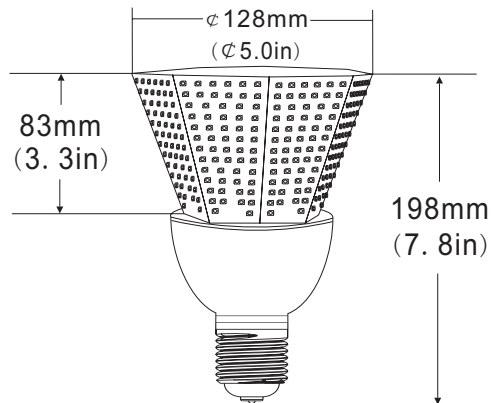
- ◆ Beam angle : 360 degrees
- ◆ Active air exchanging cooling system in order to speed up heat dissipation
- ◆ Direct replacement for CFL with screwed lamp base
- ◆ Take full advantage of the luminous efficiency
- ◆ No RF interference, No IR/UV radiation ,no mercury pollution
- ◆ Wide colour availability in degrees Kelvin(K),2700-6700K
- ◆ Green, energy saving, long and reliable life of 50,000 hours
- ◆ Environment friendly ,energy saving (70~80%)
- ◆ Special circuit design, each LED work separately, avoiding the single broken LED influence problem

### Technical Specifications

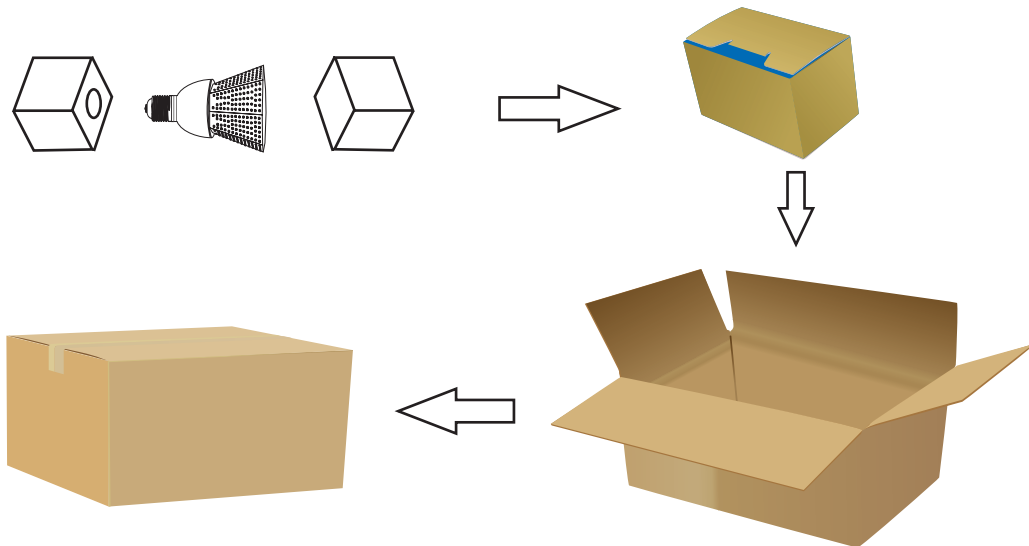
Rated Power	60W
Input Voltage	100-277VAC / 50-60Hz
Certificate	ETL CE ROHS
PF	>0.95
Power Efficiency	>88%
Beam Angle	360°
Light Source/Count	520pcs 2835 SMD LED / Epistar Chip 10*30mil
Lamp Base	E40 / E39 / E27 / E26
LED Luminous Efficiency	>110lm/w
Luminous Flux	6900 lm ±10%
Color Temperature Standard	Warm White: 2,700 ~3,500 K
	Natural White: 4,000~5,000 K
	Cool White: 5,500~6,700K
Color Rendering Index(CRI)	Ra > 80
LED Emitter Life	50,000hours
Replacement	CFL 180W
Applications	Indoor lighting; houses、offices、hotels、custom applications ,etc...
Operating Temperature	-40 ~ 45°C
The Dimensions	∅ 128*198mm
N. W	0.36kg
Packing	1pc/Box, 12pcs/Carton
Packing Size (L*W*H)	16 * 16 * 20 cm / 50 * 46 * 34 cm



## Mechanical Specification



## Package



Packaging unit	Dimensions (L * W * H)	Gross weight	Volume weight
1pc / Box	160*160*200mm	0.7kg	1.1kg
12pcs / Carton	500*460*340mm	9.8kg	15.7kg

## Application





