



# 360° LED Stubby Lamp 60W

Item No. : CCT-SLHD-006



## Product Features

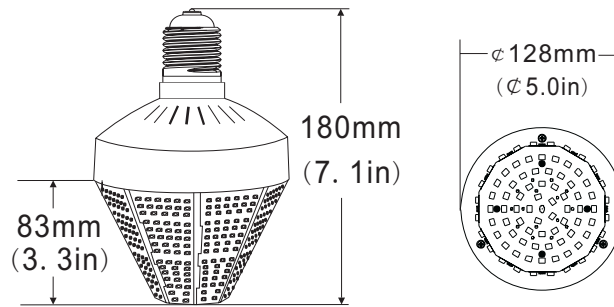
- ◆ Beam angle : 360 degrees
- ◆ Aluminum fins heat sinks and active air exchanging cooling system in order to speed up heat dissipation
- ◆ Direct replacement for CFL with screwed lamp base
- ◆ Take full advantage of the luminous efficiency
- ◆ No RF interference, No IR/UV radiation ,no mercury pollution
- ◆ Wide colour availability in degrees Kelvin(K),2700-6700K
- ◆ Green, energy saving, long and reliable life of 50,000 hours
- ◆ Environment friendly ,energy saving (70~80%)
- ◆ Special circuit design, each LED work separately, avoiding the single broken LED influence problem

## Technical Specifications

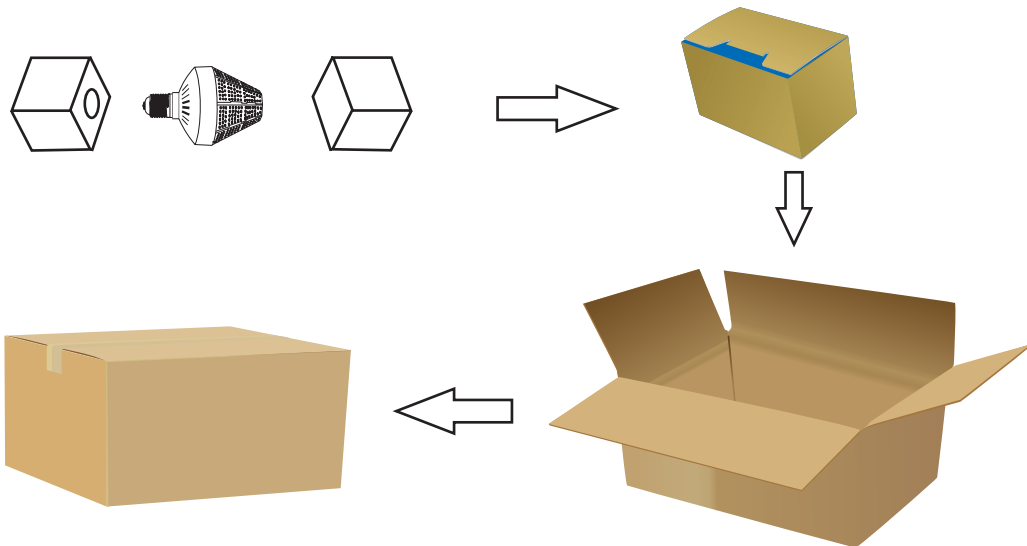
Rated Power	60W
Input Voltage	100-277VAC / 50-60Hz
Certificate	CE ROHS
PF	>0.95
Power Efficiency	>88%
Beam Angle	360°
Light Source/Count	420pcs 2835 SMD LED / Epistar Chip 10*30mil
Lamp Base	E40 / E39 / E27 / E26
LED Luminous Efficiency	>110lm/w
Luminous Flux	6900 lm ±10%
Color Temperature Standard	Warm White: 2,700 ~3,500 K
	Natural White: 4,000~5,000 K
	Cool White: 5,500~6,700K
Color Rendering Index(CRI)	Ra > 80
LED Emitter Life	50,000hours
Replacement	CFL 180W
Applications	Indoor lighting; houses、offices、hotels、custom applications ,etc...
Operating Temperature	-40 ~ 45°C
The Dimensions	∅ 128*180mm
N. W	0.52kg
Packing	1pc/Box, 12pcs/Carton
Packing Size (L*W*H)	16 * 16 * 20 cm / 50 * 46 * 34 cm



## Mechanical Specification

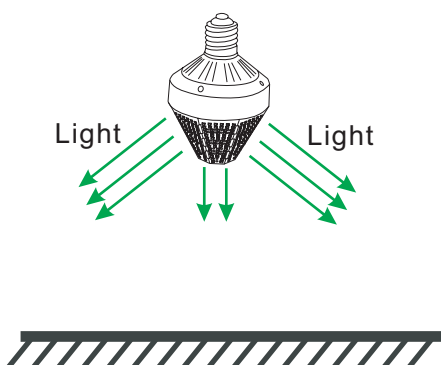


## Package



Packaging unit	Dimensions (L * W * H)	Gross weight	Volume weight
1pc / Box	160*160*200mm	0.7kg	1.1kg
12pcs / Carton	500*460*340mm	9.8kg	15.7kg

## Application



Restaurant

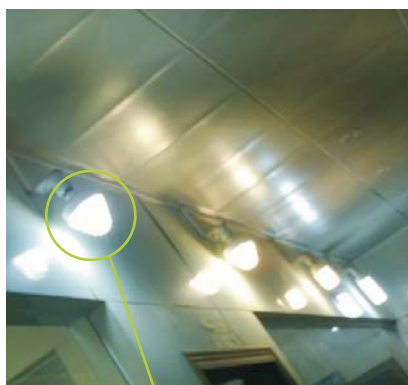


Mall

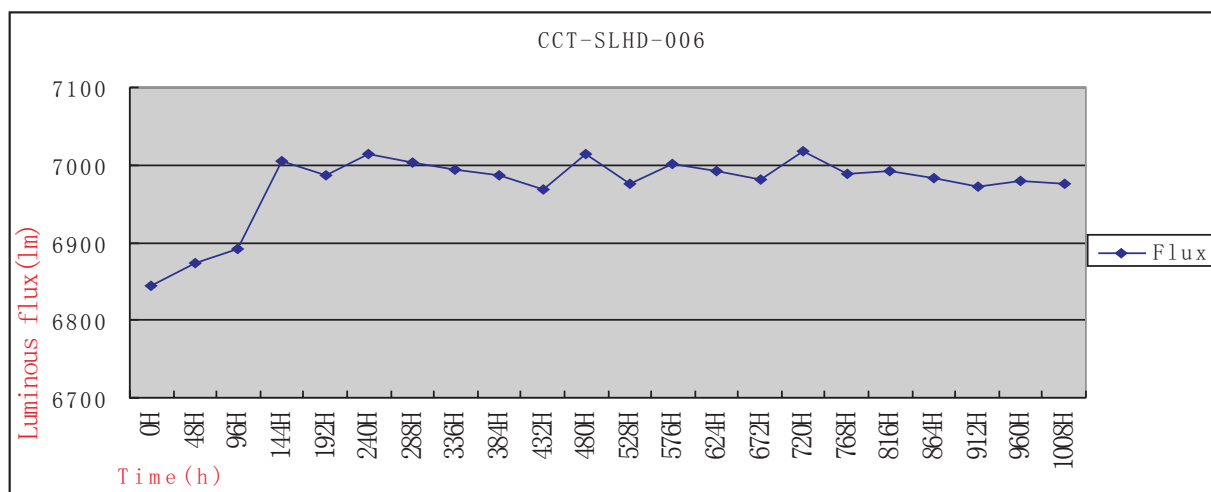




## Illuminance Maintenance



Time	Tools	Temperature	Test Item
0H	Integrating Spheres	TA=32°C	61.7W, 6845lm, 5822K
48H		TA=32°C	61.7W, 6873lm, 5835K
96H		TA=32°C	61.8W, 6891lm, 5873K
144H		TA=33°C	61.8W, 7005lm, 5849K
192H		TA=34°C	61.8W, 6987lm, 5833K
240H		TA=34°C	61.8W, 7015lm, 5836K
288H		TA=34°C	61.7W, 7003lm, 5897K
336H		TA=33°C	61.6W, 6994lm, 5871K
384H		TA=33°C	61.6W, 6987lm, 5838K
432H		TA=33°C	61.5W, 6968lm, 5858K
480H		TA=33°C	62.0W, 7014lm, 5848K
528H		TA=34°C	61.8W, 6975lm, 5851K
576H		TA=34°C	61.9W, 7001lm, 5829K
624H		TA=33°C	61.8W, 6993lm, 5897K
672H		TA=33°C	61.8W, 6982lm, 5845K
720H		TA=34°C	62.0W, 7017lm, 5836K
768H		TA=34°C	61.8W, 6989lm, 5835K
816H		TA=33°C	62.0W, 6993lm, 5877K
864H		TA=35°C	62.0W, 6984lm, 5828K
912H		TA=34°C	61.8W, 6972lm, 5847K
960H	TA=35°C	61.8W, 6980lm, 5836K	
1008H	TA=35°C	61.8W, 6975lm, 5882K	



## Environment

Body Temperature



Ta=25°C

Tc. Max: 57°C

Working Temp.	-20 ~ 45°C
Working Humidity	<80% RH, (non-condensing)
Storage Temp., Humidity	-40 ~ 55°C, <90% RH

**Cautions:** No unventilated application

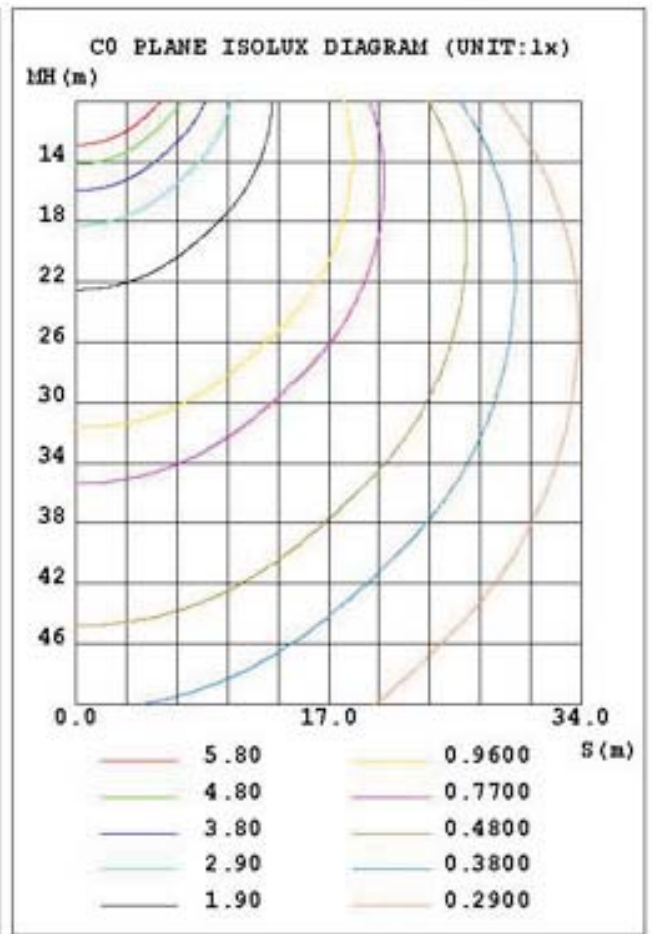
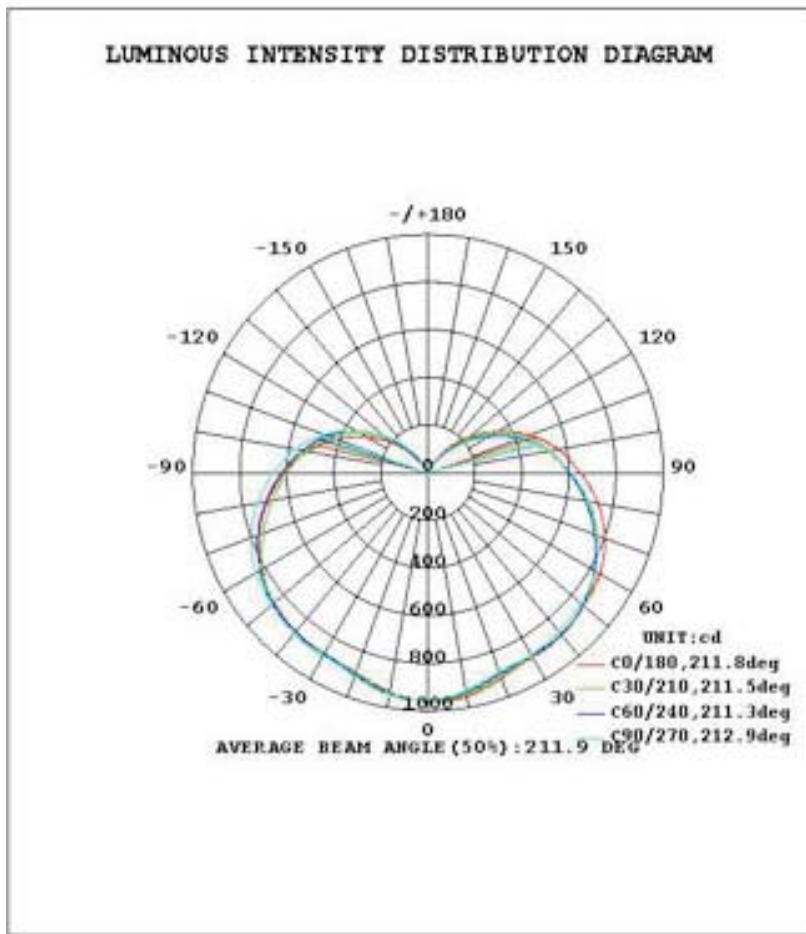
✦ Application in enclosed fixtures may speed up lumen depreciation and shorten lamp life. ①



2230 West 77th Street. Hialeah, FL 33016  
Phone: 305-805-3700 Fax: 305-818-5976  
email: gerry@cct-inc.com

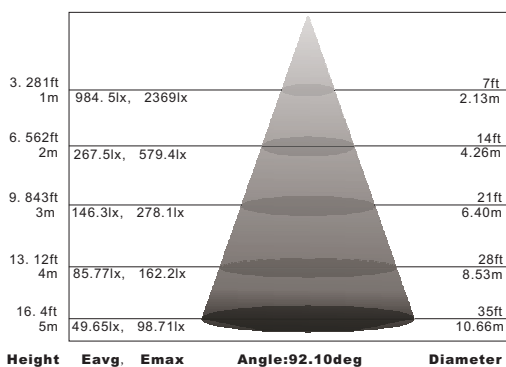
## Luminaire Photometric Test Report

DATA OF LAMP		PHOTOMETRIC DATA			
MODEL		Imax (cd)	963.8	S/MH (C0/180)	1.43
NOMINAL POWER (W)	60	LOR (%)	100.0	S/MH (C90/270)	1.42
RATED VOLTAGE (V)	228	TOTAL FLUX (lm)	7029.8	$\eta$ UP, DN (C0-180)	13.4, 35.6
NOMINAL FLUX (lm)	7029.8	CIE CLASS	SEMI-D.	$\eta$ UP, DN (C180-360)	14.8, 36.2
LAMPS INSIDE	1	$\eta$ up (%)	28.2	CIBSE SHR NOM	1.75
TEST VOLTAGE (V)	228.2	$\eta$ down (%)	71.8	CIBSE SHR MAX	1.75

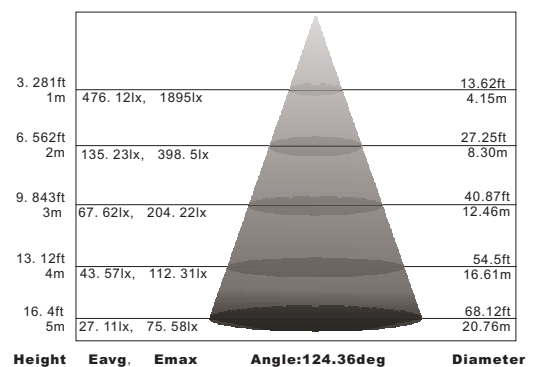


## AAI Figure

With 90 degrees Lampshade



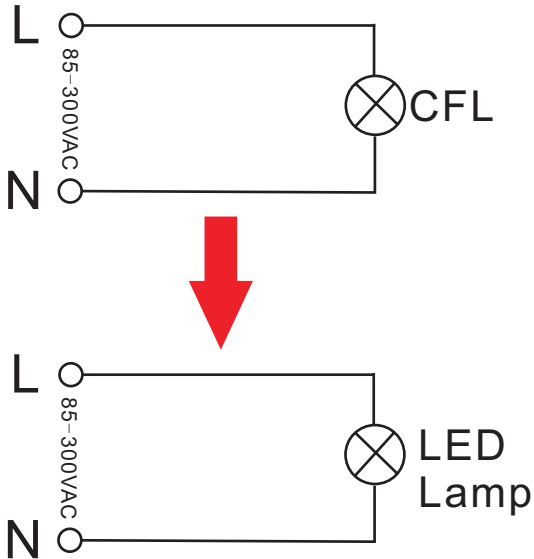
With 120 degrees Lampshade



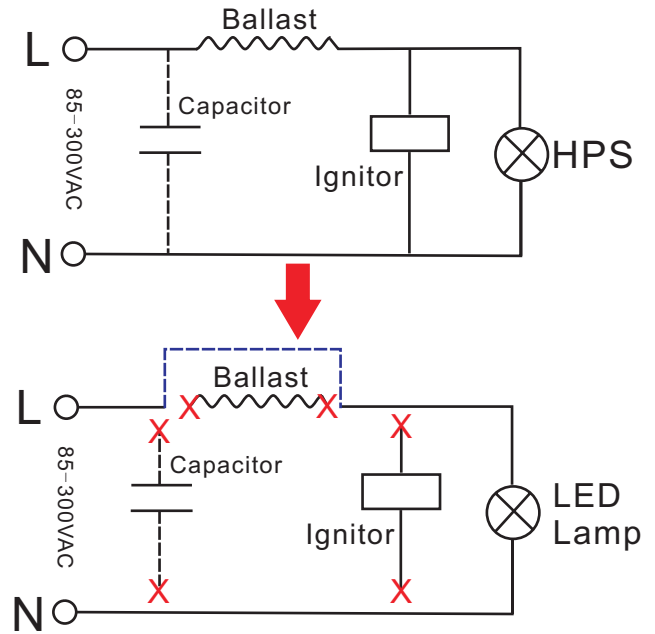


## Installation

### Replace CFL



### Replace HPS

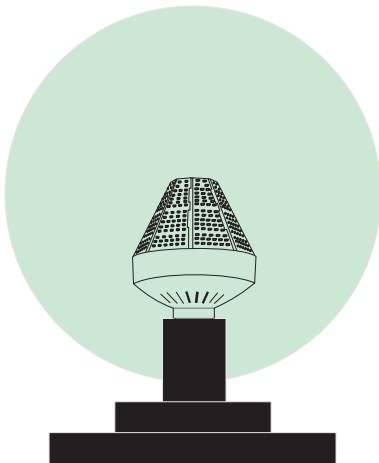


### Note:

- ✦ Don't take the LED lamp apart
- ✦ Recommend indoor use
- ✦ The LED lamp must work under the right voltage according to the specification
- ✦ **Not suitable for dimmers or electronic switches or remote controls**
- ✦ Application in enclosed fixtures may speed up lumen depreciation and shorten lamp life

### Cautions ①

When the products are used in the **enclosed fixtures**. Pay attention to the size of the confined space and keep well ventilated. Ensure the lamp has enough space for heat dissipation which ensures lumen maintenance and extends its working life.



When 60W led stubby light is used in confined space, the fixture's diameter must be more than **26"**