



# LED Wall Pack Lamp GEY

Item No.: CCT-MWP- ‡



## Product Features

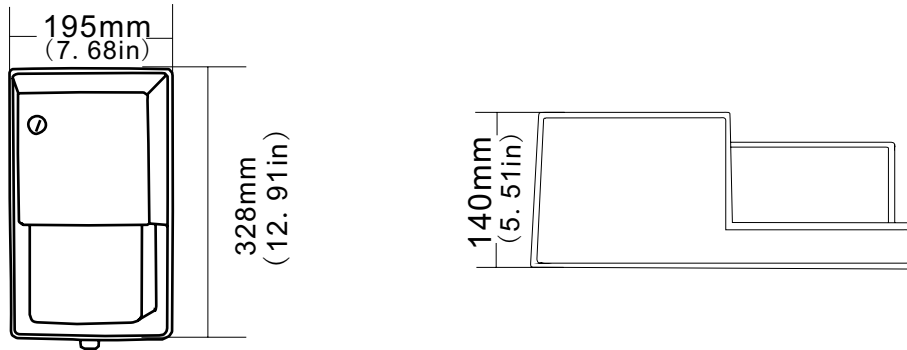
- ◆ Beam angle: 120 degrees
- ◆ Aluminum fins heat sinks is good for heat dissipation
- ◆ It's major to replace the conventiona wall pack light
- ◆ Green, energy saving, long and reliable life of 50,000 hours
- ◆ No RF interference, No IR/UV radiation ,no mercury pollution
- ◆ Wide colour availability in degrees Kelvin(K),2700-6700K
- ◆ Streamline exterior design, beautiful appearance
- ◆ Environment friendly ,energy saving (70~80%)
- ◆ Special circuit design, each LED work separately, avoiding the single broken LED influence problem

## Technical Specifications

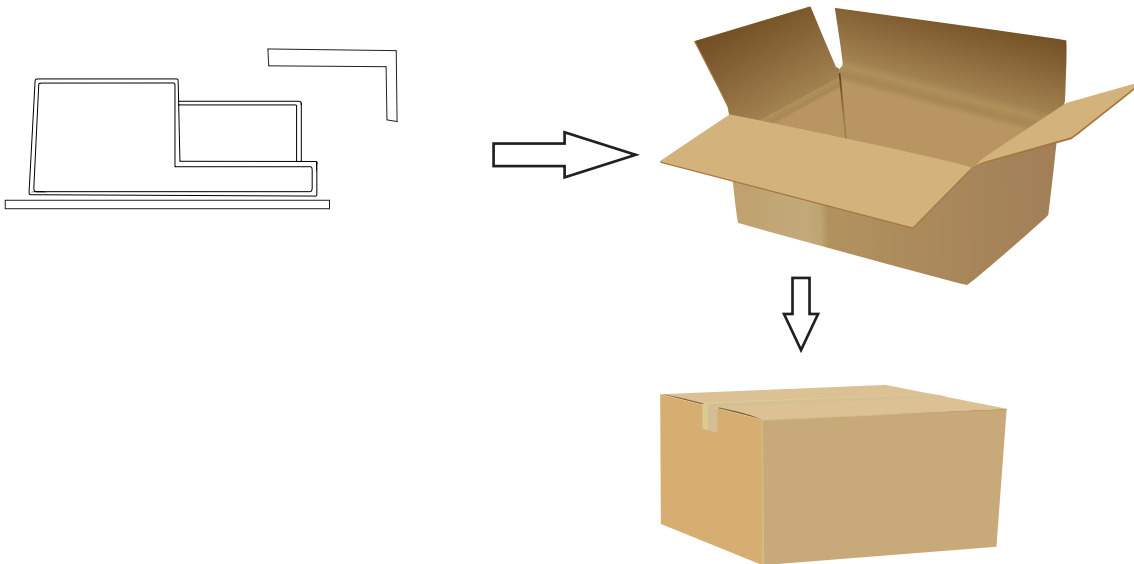
Rated Power	GEW
Input Voltage	100-265VAC / 50-60Hz
Certificate	CE ROHS
PF	>0.95
Power Efficiency	>88%
Beam Angle	120°C
Light Source/Count	70pcs 5630 SMD LED / Samsung LED
Lamp Base	2 pin wires
LED Luminous Efficiency	>100lm/w
Luminous Flux	2000 lm ±10%
Color Temperature Standard	Warm White: 2,700 ~3,500 K
	Natural White: 4,000~5,000 K
	Cool White: 5,500~6,700K
Color Rendering Index(CRI)	Ra>80
LED Emitter Life	50,000hours
Replacement	HPS 60W
Applications	Lighting building facades, loading areas,garages,custom applications ,etc ...
Operating Temperature	- 40 ~ 45°C
Dimensions	328*195*140mm(L*W*H)
N. W	3kg
Packing	1pc/Box
Packing Size (L*W*H)	400 * 220 * 165 mm



## Mechanical Specification



## Package



Packaging unit	Dimensions (L * W * H)	Volume weight
1pc / Box	400*220*165mm	4.25kg

## Application



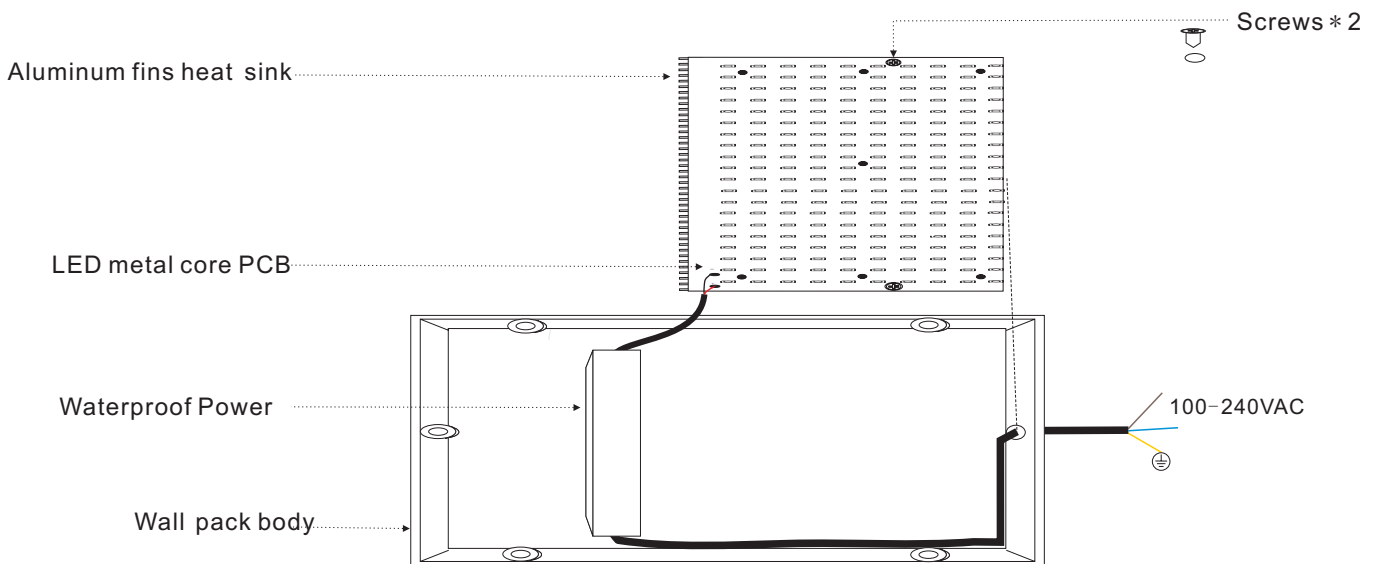


## LED Retrofit for Wall Pack Fixtures

- ◆ How the fixture looks after the installation of the LED retrofit plate into a canopy fixture
- ◆ No wall pack cutting - Fast Installation, No Leaks
- ◆ It has now been converted from a high energy consuming HID system to an energy saving LED, providing a green solution and allowing you to recycle and retrofit your existing fixture.
- ◆ It's as simple as 1, 2, 3. Ready to go.....



## Typical Canopy Light Retrofit



## Environment

Body Temperature



Ta=25°C

Tc. Max: 58°C

Working Temp.	-20 ~ 45°C
Working Humidity	<80% RH, (non-condensing)
Storage Temp., Humidity	-40 ~ 55°C, <90% RH

## Cautions: No unventilated application

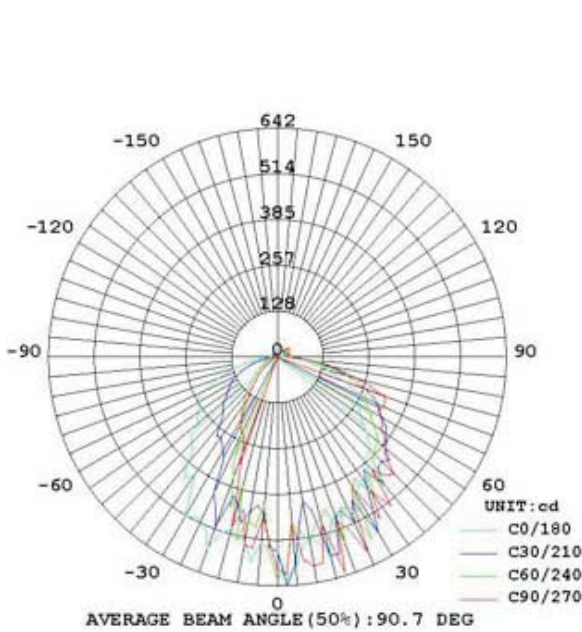
✦ Application in enclosed fixtures may speed up lumen depreciation and shorten lamp life. ①



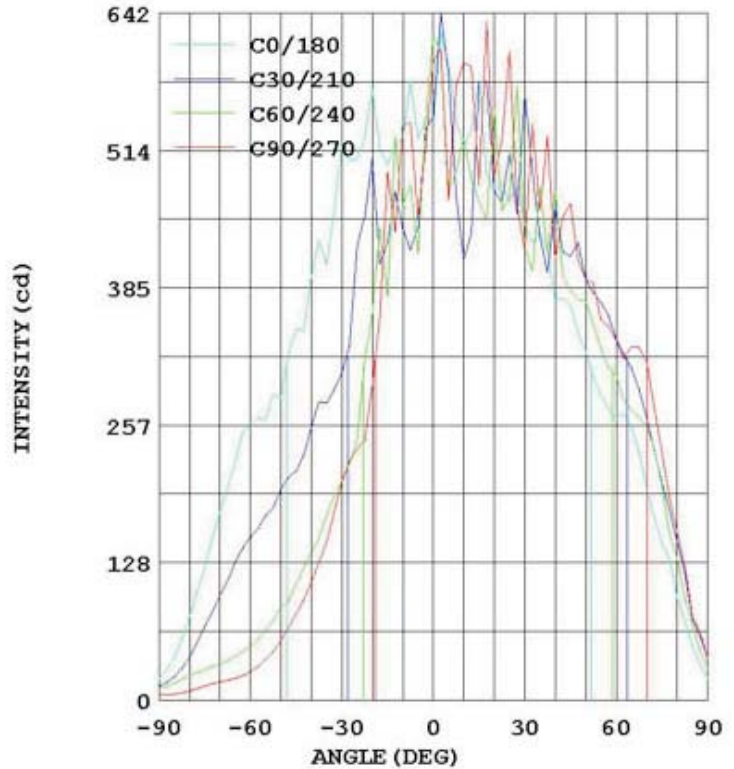
## Luminaire Photometric Test Report

DATA OF LAMP		Imax (cd)	641.8	S/MH (C0/180)	1.28
MODEL		EFFICIENCY (%)	100.0	S/MH (C90/270)	0.65
NOMINAL POWER (W)	16	TOTAL FLUX (lm)	1516.5	Voltage (V)	110.5
RATED VOLTAGE (V)	110	EFFICIENCY (lm/W)	90.6	Current (A)	0.152
NOMINAL FLUX (lm)	1516.5	$\eta$ up (%)	6.7	Power (W)	16.73
LAMPS QUANTITY	1	$\eta$ down (%)	93.3	Power Factor (PF)	0.993
TEST VOLTAGE (V)	110.6	Effective Flux (lm)	1369.1	EEL	0.166

LUMINOUS INTENSITY DISTRIBUTION



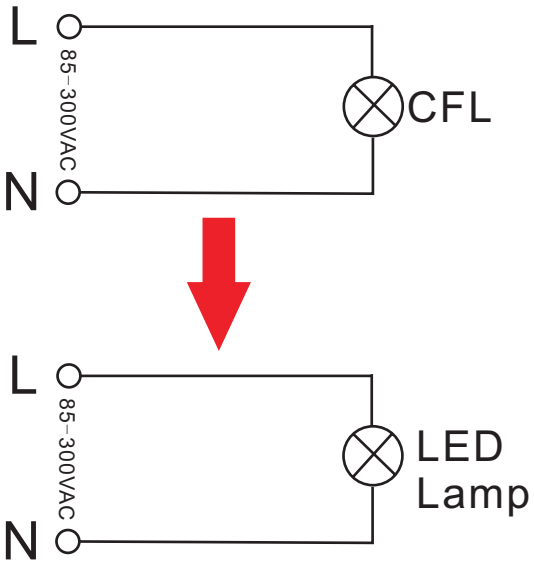
LUMINOUS INTENSITY DISTRIBUTION



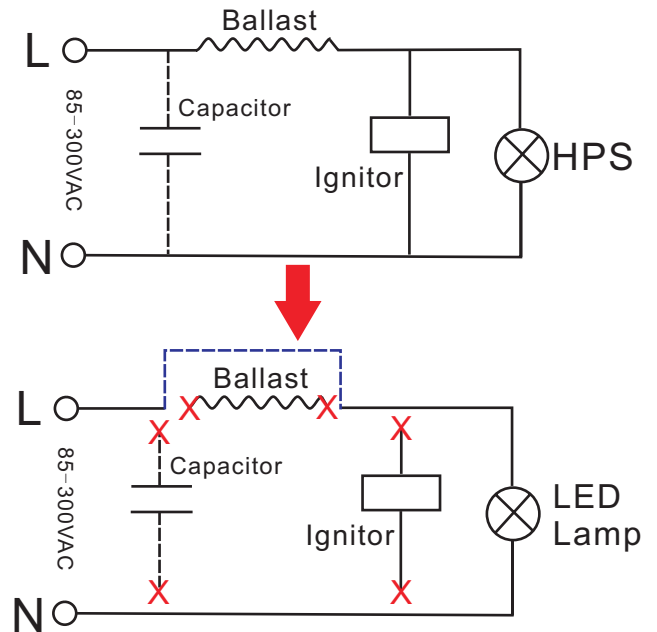


## Installation

### Replace CFL



### Replace HPS



The lamp will be directly fixed on the ceiling as shown below with the mounting hardware during installation.



### Note:

- ✧ Don't take the LED lamp apart
- ✧ The LED lamp must work under the right voltage according to the specification
- ✧ Not suitable for dimmers or electronic switches or remote controls