



LED Wall Pack Lamp 18W

Item No. : CCT-MWP-018



Product Features

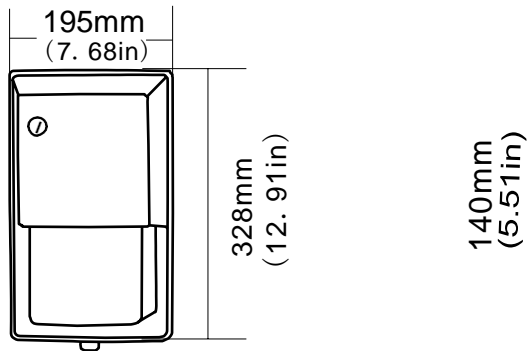
- ◆ Beam angle: 120 degrees
- ◆ Aluminum fins heat sinks is good for heat dissipation
- ◆ It's major to replace the conventional wall pack light
- ◆ Green, energy saving, long and reliable life of 50,000 hours
- ◆ No RF interference, No IR/UV radiation ,no mercury pollution
- ◆ Wide colour availability in degrees Kelvin(K),2700-6700K
- ◆ Streamline exterior design, beautiful appearance
- ◆ Environment friendly, energy saving (70~80%)
- ◆ Special circuit design, each LED work separately, avoiding the single broken LED influence problem

Technical Specifications

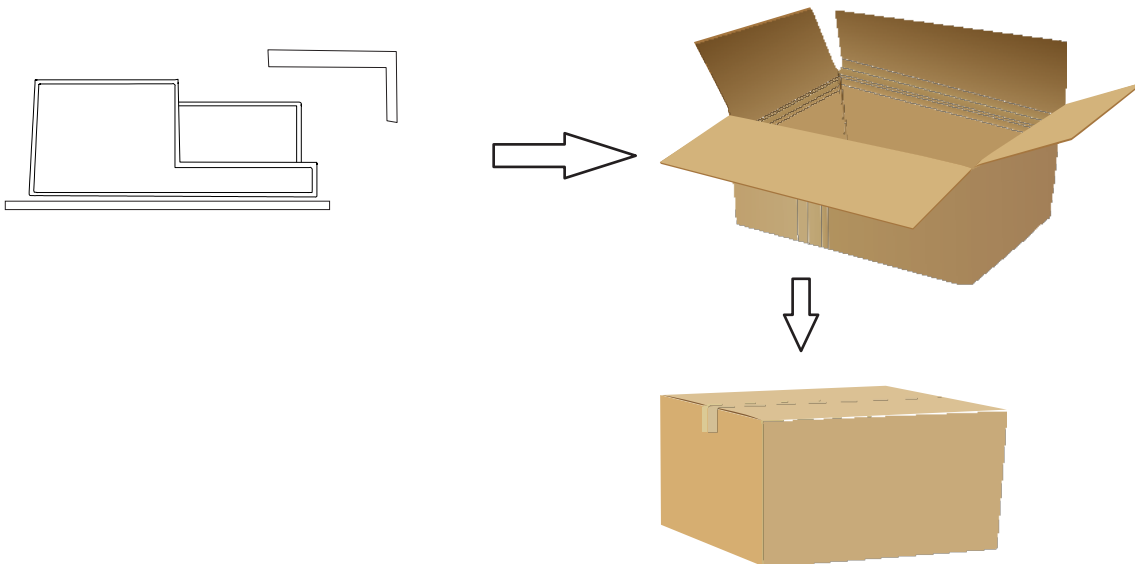
Rated Power	18W
Input Voltage	100-265VAC / 50-60Hz
Certificate	CE ROHS
PF	>0.95
Power Efficiency	>88%
Beam Angle	120°C
Light Source/Count	70pcs 5630 SMD LED / Samsung LED
Lamp Base	2 pin wires
LED Luminous Efficiency	>90lm/w
Luminous Flux	1600 lm ±10%
Color Temperature Standard	Warm White: 2,700 ~3,500 K
	Natural White: 4,000~5,000 K
	Cool White: 5,500~6,700K
Color Rendering Index(CRI)	Ra>80
LED Emitter Life	50,000hours
Replacement	HPS 60W
Applications	Lighting building facades, loading areas,garages,custom applications ,etc ...
Operating Temperature	- 40 ~ 45°C
The Dimensions	328*195*140mm(L*W*H)
N. W	3kg
Packing	1pc/Box
Packing Size (L*W*H)	400 * 220 * 165 mm



Mechanical Specification



Package



Packaging unit	Dimensions (L *W * H)	Volume weight
1pc / Box	400*220*165mm	4.25kg

Application



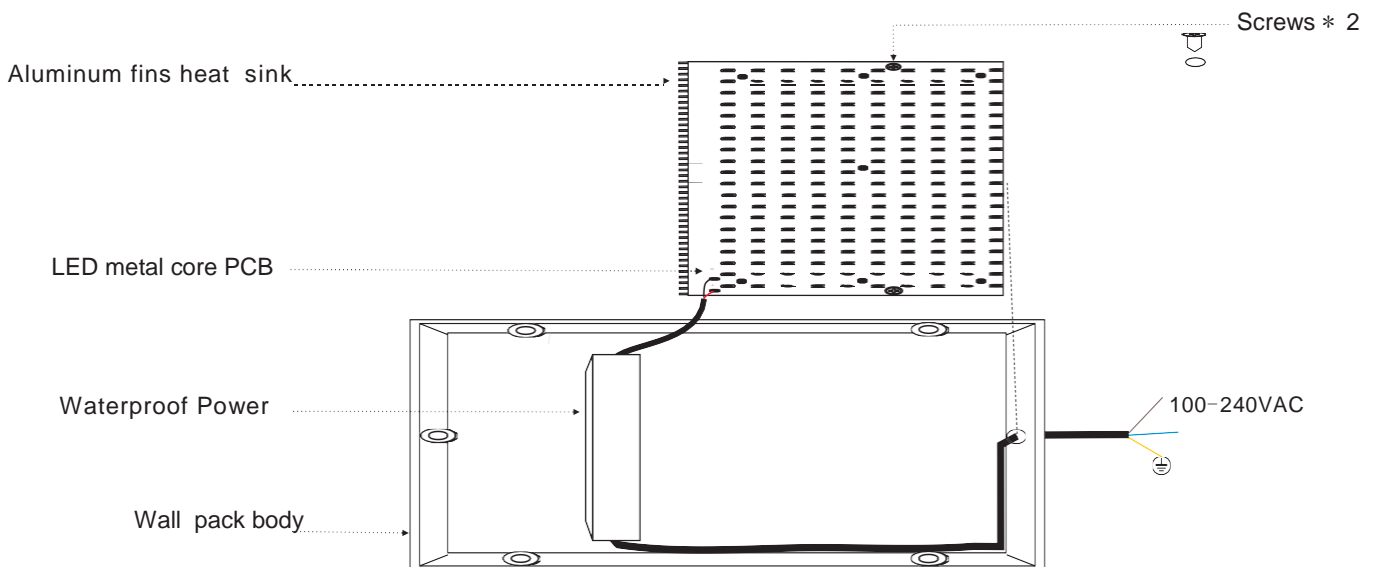


LED Retrofit for Wall Pack Fixtures

- ◆ How the fixture looks after the installation of the LED retrofit plate into a canopy fixture
- ◆ No wall pack cutting - Fast Installation, No Leaks
- ◆ It has now been converted from a high energy consuming HID system to an energy saving LED, providing a green solution and allowing you to recycle and retrofit your existing fixture.
- ◆ It's as simple as 1, 2, 3. Ready to go.....



Typical Canopy Light Retrofit



Environment

Body Temperature



Ta=25°C

Tc. Max: 58°C

Working Temp.	-20 ~ 45°C
Working Humidity	<80% RH, (non-condensing)
Storage Temp.,Humidity	-40 ~ 55°C, <90% RH

Cautions: No unventilated application

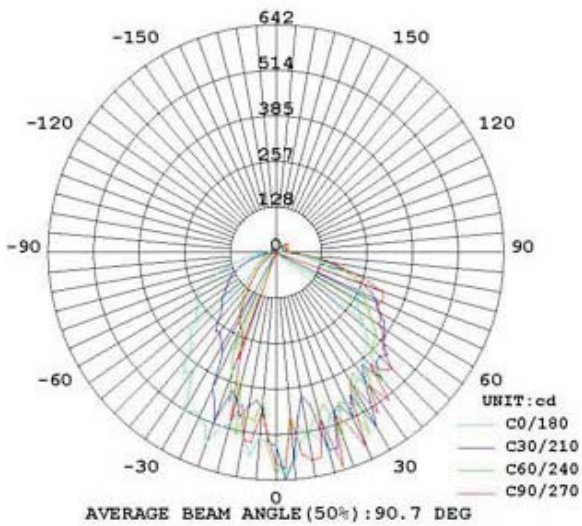
✧ Application in enclosed fixtures may speed up lumen depreciation and shorten lamp life. ①



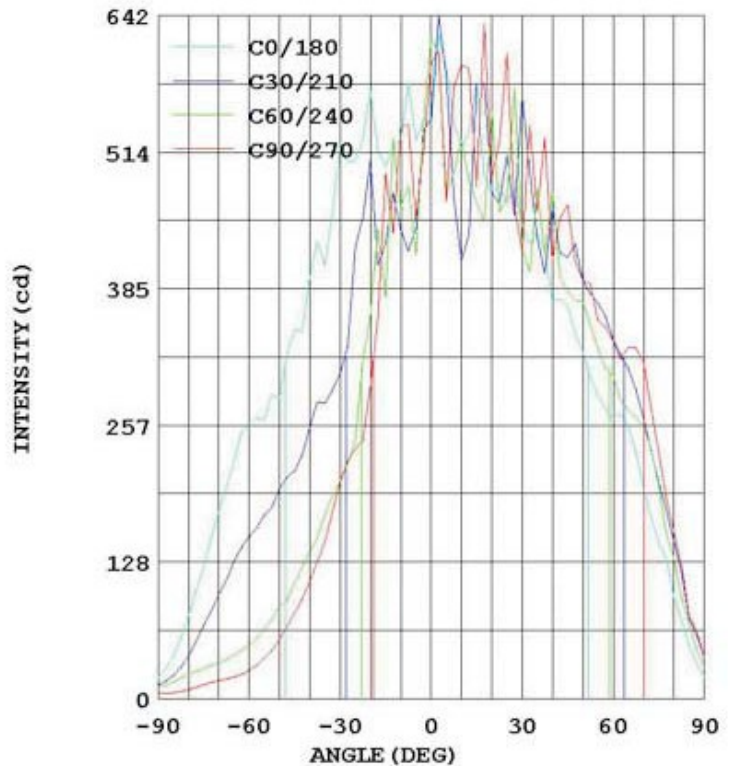
Luminaire Photometric Test Report

DATA OF LAMP		Imax(cd)	641.8	S/MH (C0/180)	1.28
MODEL		EFFICIENCY (%)	100.0	S/MH (C90/270)	0.65
NOMINAL POWER(W)	16	TOTAL FLUX(lm)	1516.5	Voltage(V)	110.5
RATED VOLTAGE(V)	110	EFFICIENCY(lm/W)	90.6	Current(A)	0.152
NOMINAL FLUX(lm)	1516.5	η up(%)	6.7	Power(W)	16.73
LAMPS QUANTITY	1	η down(%)	93.3	Power Factor(PF)	0.993
TEST VOLTAGE(V)	110.6	Effective Flux(lm)	1369.1	EEl	0.166

LUMINOUS INTENSITY DISTRIBUTION



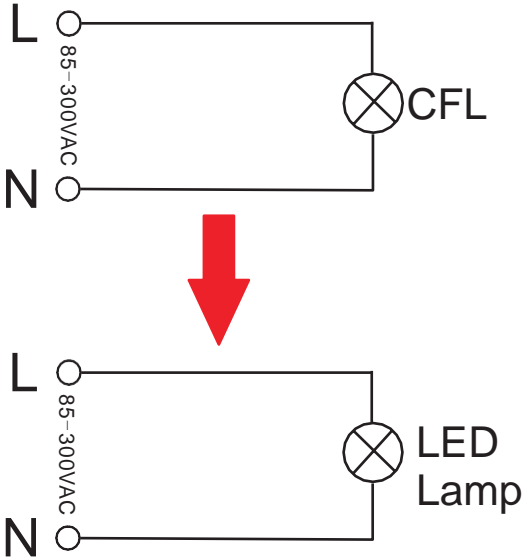
LUMINOUS INTENSITY DISTRIBUTION



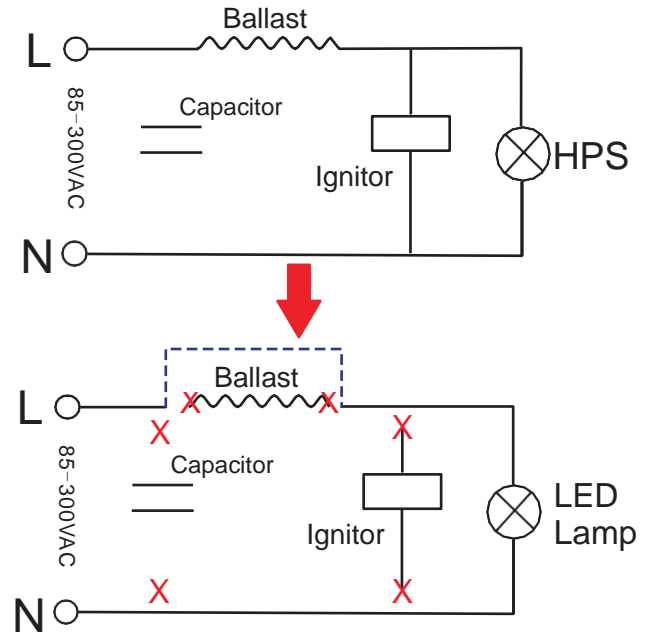


Installation

Replace CFL



Replace HPS



The lamp will be directly fixed on the ceiling as shown below with the mounting hardware during installation.



Note:

- ✧ Do not take the LED lamp apart.
- ✧ The LED lamp must work under the right voltage according to the specification. ✧

Not suitable for dimmers or electronic switches or remote controls.