

GROUNDING MANUAL

September 2014



240508



E257460





Table of Contents Grounding Manual

1.	Grounding systems	3
1.1	By using a special grounding kit	3
1.1.1	Using a profile PM50	3
1.1.2	Using a mounting pillar MSF10, MSF12, MSF35 and MDF45	4
1.1.3	Using a grounding terminal	4
1.2	By direct drilling into the profile	5



Satie panels have been tested by an independent laboratory, following UL and CSA certifications. The report with reference E257460 indicates that the combination of joints is less than 0.10 Ohms (see clause 6.7 of UL 508) for Proclip and Prolight models.

With this certification we can consider that Satie panels are equipotential in all points.

1. Grounding systems

The Satie frame is grounded the same way as the traditional backplane. With the Satie frame you can ground your frame to the enclosure using a ground wire going from the ground stud of the enclosure to the Satie frame. You can find below three options to make the connection to the Satie panel frame. The connection to the enclosure is to be done as per the enclosure manufacture recommendations.

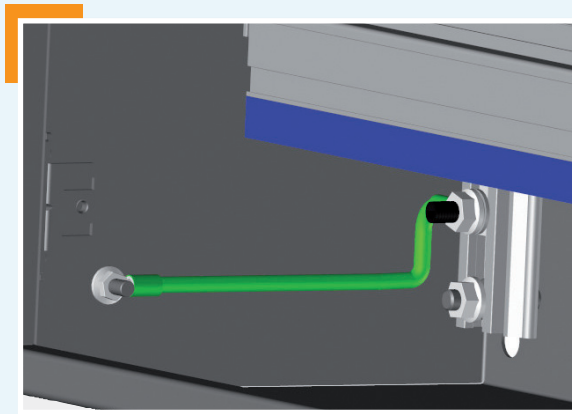


Figure 1

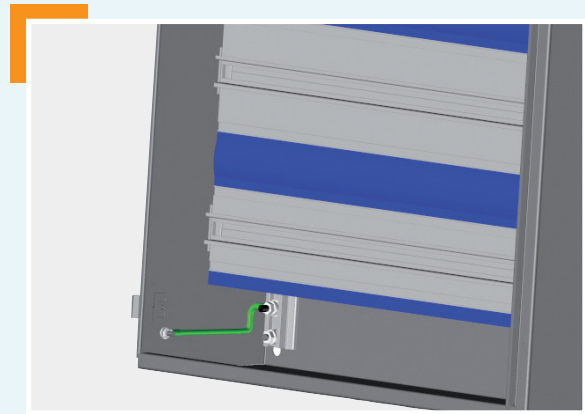


Figure 2

1.1 By using a special grounding kit

Satie offers you a special grounding kit to ground your panel. This kit contains, ECM8, VSTM8*30, ring for M8 and EEM8. The grounding kit can be installed on different parts of the frame.

1.1.1 Using a profile PM50

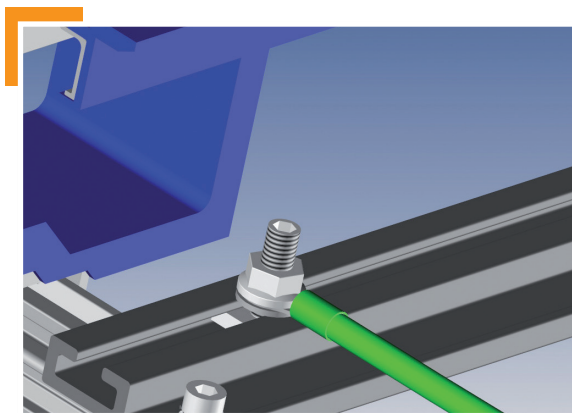


Figure 3

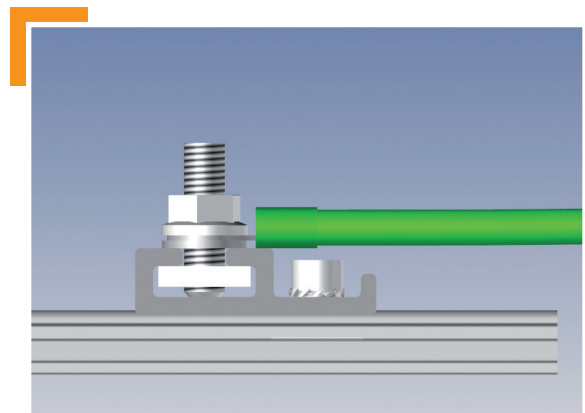


Figure 4



1.1.2 Using a mounting pillar MSF10, MSF12, MSF35 and MDF45

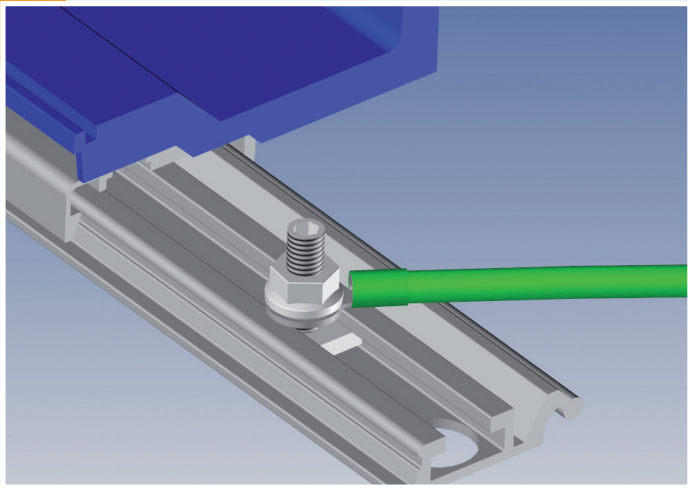


Figure 5

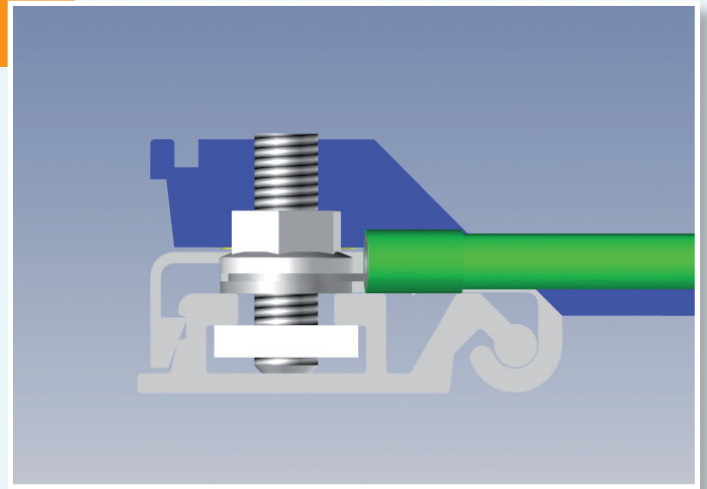


Figure 6

1.1.3 Using a grounding terminal

When the UL and CSA certifications allows you can use a grounding terminal.

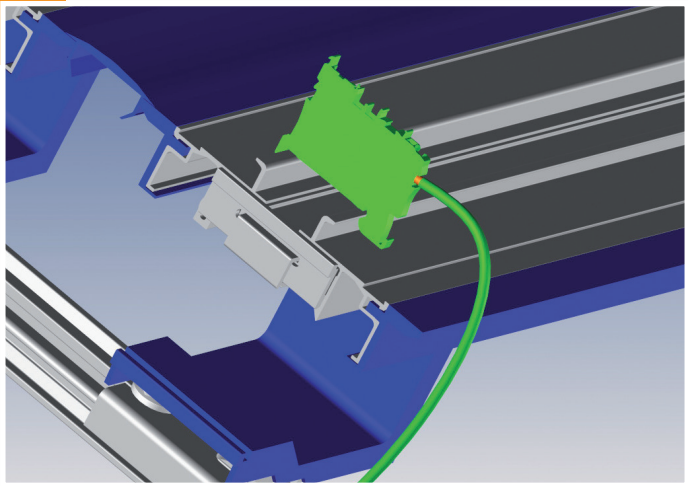


Figure 7

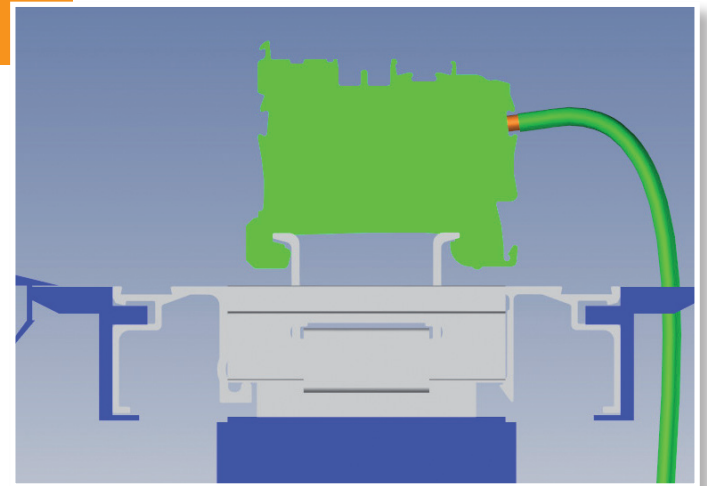


Figure 8



1.2 By direct drilling into the profile

You can drill directly into the profile to connect your ground wire, following CSA 22.2 and UL 508 requirements.

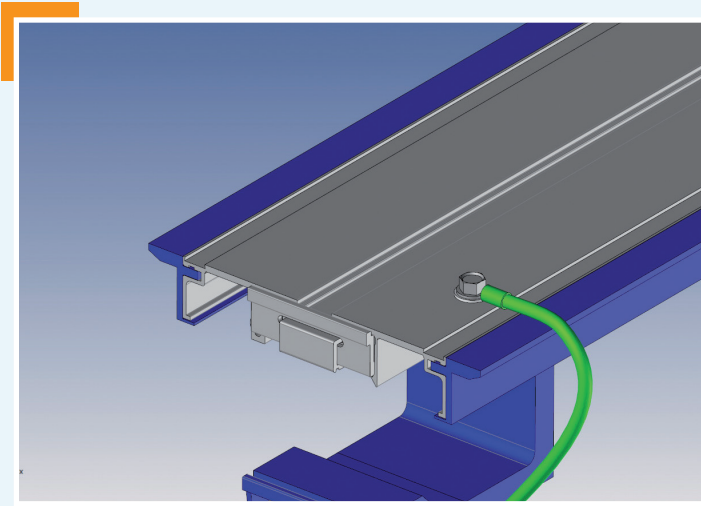


Figure 9

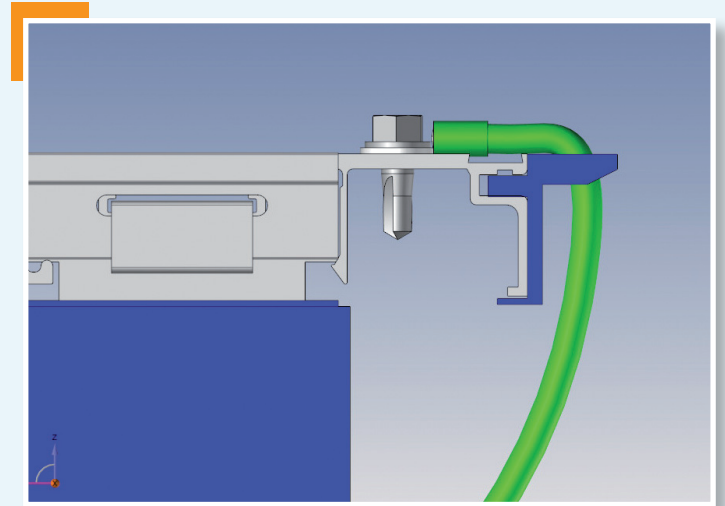


Figure 10

If you need further assistance please contact us at
(647) 477-2433 or info@Satienna.com

Make it Easy, Make it Satie !