

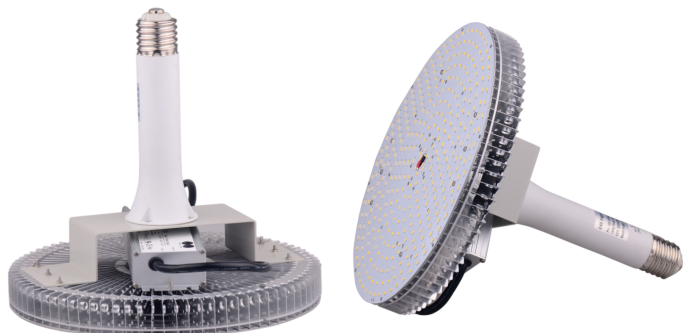


# E40/E27 LED High Bay Light 120W

Item No. :##t YPD- 0

## Product Features

- ◆ It's major to replace the HPS/LPS with **screwed** base directly
- ◆ Using aluminum fins heat sinks design, the cooling area reach **8000cm<sup>2</sup>**, it's good for lamp heat dissipation and ensure LED's long lifetime.
- ◆ Green, energy saving, long and reliable life of 50,000 hours
- ◆ No RF interference, No IR/UV radiation, no mercury pollution
- ◆ Wide colour availability in degrees Kelvin(K), 2700-6700K
- ◆ Streamline exterior design, beautiful appearance
- ◆ Environment friendly, energy saving (70~80%)
- ◆ Special circuit design, each LED work separately, avoiding the single broken LED influence problem

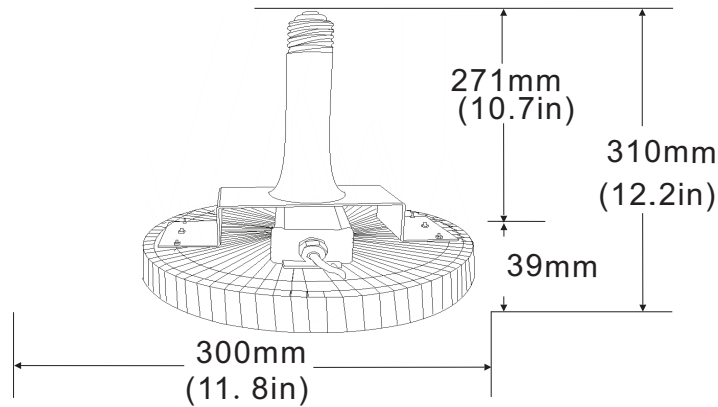


## Technical Specifications

Rated Power	120W
Input Voltage	100-277VAC / 50-60Hz
Power Supply Model	Type I : 1PC Mean Well Driver: HLG-120-36
PF	>0.95
Power Efficiency	>88%
Beam Angle	120°
Light Source/Count	340pcs 5630 SMD LED / Chip Size: 23*45mil
Lamp Base	E40 / E39 / E27 / E26
LED Luminous Efficiency	>100lm/w
Luminous Flux	12000 lm ±10%
Color Temperature Standard	Warm White: 2,700 ~3,500 K
	Natural White: 4,000~5,000 K
	Cool White: 5,500~6,700K
Color Rendering Index(CRI)	Ra > 70
LED Emitter Life	50,000hours
Replacement	HPS 400W
Applications	High bay and low bay fixture、factories、parking garages、custom applications ,etc...
Operating Temperature	-40 ~ 45°C
The Dimensions	∅ 300*310mm
N. W	0.88kg(Without Driver) / 1.46kg(With 1pc Driver)
Packing	2pcs/Carton or 4pcs/Carton
Packing Size (L*W*H)	53 * 37 * 37 cm



## Mechanical Specification



## Package



Packaging unit	Dimensions (L * W * H)	Gross weight	Volume weight
2pcs / Carton	570*370*370mm	6kg	15.5kg



Packaging unit	Dimensions (L * W * H)	Gross weight	Volume weight
4pcs / Carton	570*370*370mm	9.5kg	15.5kg

## Application

Factory



Shop



Garage

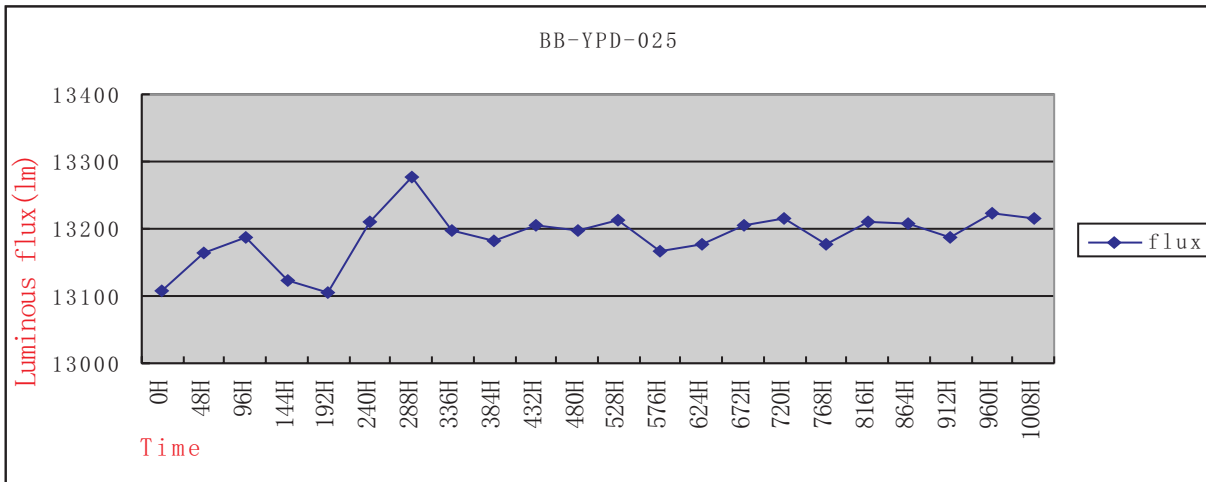




2230 West 77th Street. Hialeah, FL 33016  
Phone: 305-805-3700 Fax: 305-818-5976  
email: gerry@cct-inc.com

## Illuminance Maintenance

Time	Tools	Temperature	Test Item
0H	Integrating Spheres	TA=33°C	128.4W, 13107LM, 6167K
48H		TA=34°C	128.5W, 13163LM, 6135K
96H		TA=32°C	128.5W, 13188LM, 6144K
144H		TA=33°C	128.4W, 13124LM, 6095K
192H		TA=34°C	128.4W, 13105LM, 6124K
240H		TA=34°C	128.5W, 13211LM, 6133K
288H		TA=34°C	129.1W, 13278LM, 6135K
336H		TA=33°C	128.7W, 13197LM, 6224K
384H		TA=33°C	128.7W, 13183LM, 6246K
432H		TA=33°C	129.3W, 13204LM, 6087K
480H		TA=33°C	128.7W, 13197LM, 6079K
528H		TA=34°C	129.3W, 13214LM, 6069K
576H		TA=34°C	128.4W, 13167LM, 6115K
624H		TA=33°C	128.3W, 13178LM, 6447K
672H		TA=33°C	128.8W, 13204LM, 6073K
720H		TA=34°C	128.9W, 13215LM, 6062K
768H		TA=34°C	128.3W, 13176LM, 649K
816H		TA=35°C	128.8W, 13211LM, 6119K
864H		TA=35°C	128.7W, 13207LM, 6143K
912H		TA=34°C	128.4W, 13187LM, 6097K
960H	TA=35°C	129.4W, 13224LM, 6154K	
1008H	TA=35°C	129.3W, 13215LM, 6148K	



## Environment

Boby Temperature

Working Temp.	-20 ~ 45°C
Working Humidity	<80% RH, (non-condensing)
Storage Temp., Humidity	-40 ~ 55°C, <90% RH

Ta=25°C

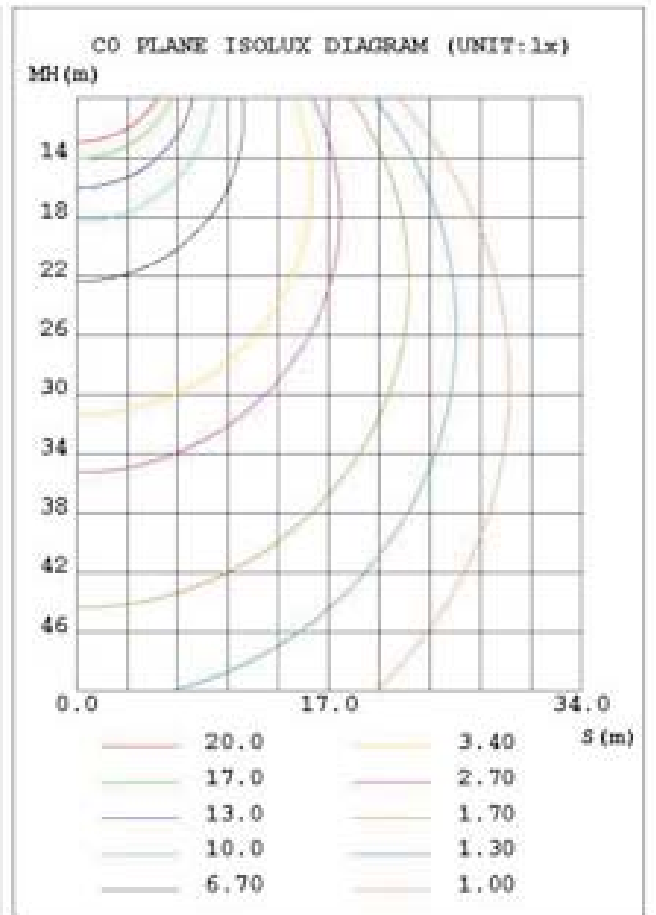
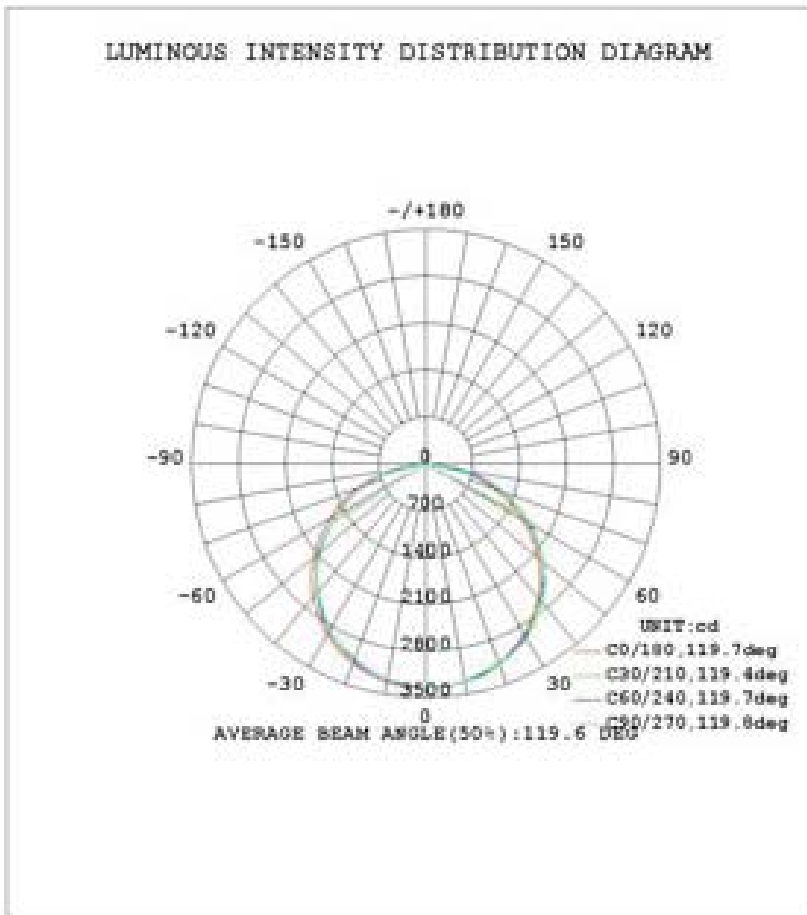
● Tc. Max: 56°C

**Cautions:** No unventilated application

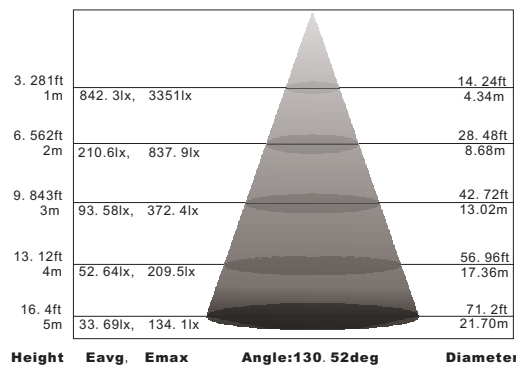


## Luminaire Photometric Test Report

DATA OF LAMP		PHOTOMETRIC DATA			
MODEL		Imax (cd)	3351	S/MH (C0/180)	1.30
NOMINAL POWER (W)	126	LOR (%)	100.0	S/MH (C90/270)	1.33
RATED VOLTAGE (V)	228	TOTAL FLUX (lm)	13184	$\eta$ UP, DN (C0-180)	0.0, 51.9
NOMINAL FLUX (lm)	13184	CIE CLASS	DIRECT	$\eta$ UP, DN (C180-360)	0.0, 48.1
LAMPS INSIDE	1	$\eta$ up (%)	0.0	CIBSE SHR NOM	1.50
TEST VOLTAGE (V)	227.6	$\eta$ down (%)	100.0	CIBSE SHR MAX	1.50



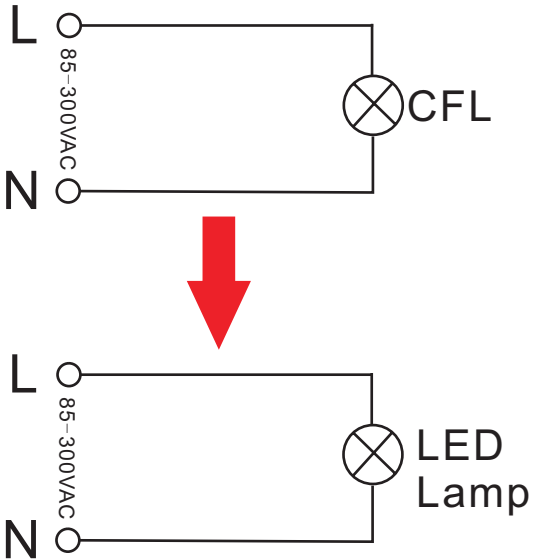
## AAI Figure



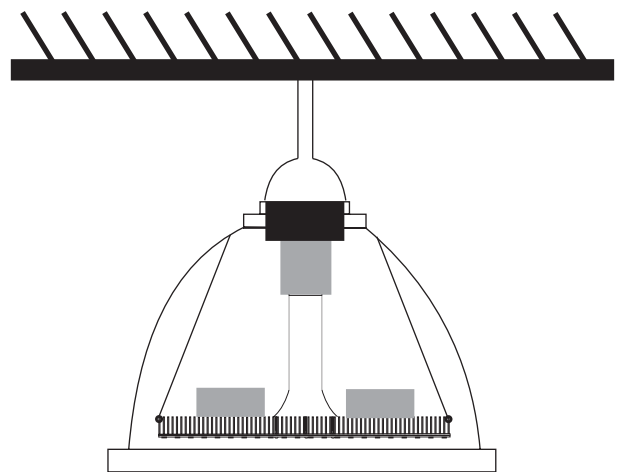
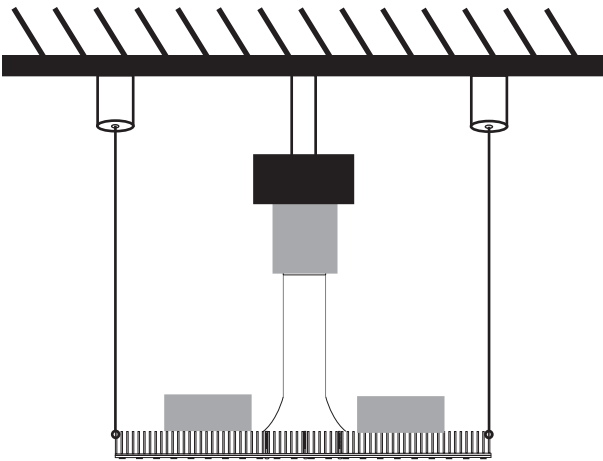
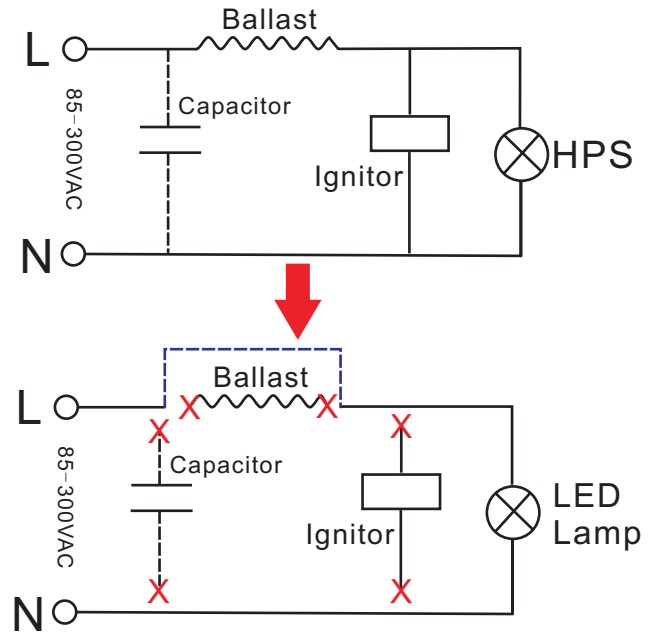


## Installation

### Replace CFL



### Replace HPS



### Note:

- ✧ Don't take the LED lamp apart
- ✧ Recommend indoor use
- ✧ The LED lamp must work under the right voltage according to the specification
- ✧ Not suitable for dimmers or electronic switches or remote controls
- ✧ Application in enclosed fixtures may speed up lumen depreciation and shorten lamp life