



## 360° LED Torch Lamp 60W

Item No : CCT-TLHD-60W



### Product Features

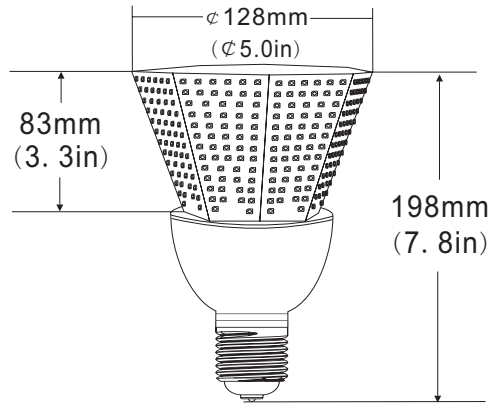
- ◆ Beam angle : 360 degrees
- ◆ Active air exchanging cooling system in order to speed up heat dissipation
- ◆ Direct replacement for CFL with screwed lamp base
- ◆ Take full advantage of the luminous efficiency
- ◆ No RF interference, No IR/UV radiation ,no mercury pollution
- ◆ Wide colour availability in degrees Kelvin(K),2700-6700K
- ◆ Green, energy saving, long and reliable life of 50,000 hours
- ◆ Environment friendly ,energy saving (70~80%)
- ◆ Special circuit design, each LED work separately, avoiding the single broken LED influence problem

### Technical Specifications

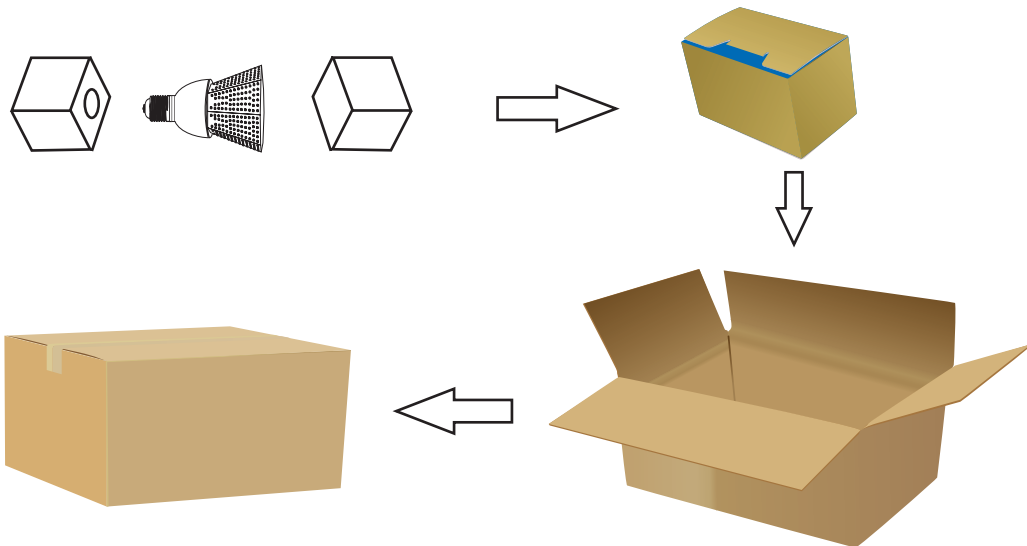
|                            |  |
|----------------------------|--|
| Rated Power                | 60W  |
| Input Voltage              | 100-277VAC / 50-60Hz   |
| Certificate                | ETL CE ROHS  |
| PF                         | >0.95  |
| Power Efficiency           | >88%   |
| Beam Angle                 | 360°   |
| Light Source/Count         | 520pcs 2835 SMD LED / Epistar Chip 10*30mil                        |
| Lamp Base                  | E40 / E39 / E27 / E26  |
| LED Luminous Efficiency    | >110lm/w   |
| Luminous Flux              | 6900 lm ±10%   |
| Color Temperature Standard | Warm White: 2,700 ~3,500 K   |
|                            | Natural White: 4,000~5,000 K                                       |
|                            | Cool White: 5,500~6,700K   |
| Color Rendering Index(CRI) | Ra > 80  |
| LED Emitter Life           | 50,000hours  |
| Replacement                | CFL 180W   |
| Applications               | Indoor lighting; houses、offices、hotels、custom applications ,etc... |
| Operating Temperature      | -40 ~ 45°C   |
| Dimensions                 | ∅ 128*198mm  |
| N. W                       | 0.36kg   |
| Packing                    | 1pc/Box, 12pcs/Carton  |
| Packing Size (L*W*H)       | 16 * 16 * 20 cm / 50 * 46 * 34 cm                                  |



## Mechanical Specification



## Package



| Packaging unit | Dimensions (L * W * H) | Gross weight | Volume weight |
|----------------|------------------------|--------------|---------------|
| 1pc / Box      | 160*160*200mm          | 0.7kg        | 1.1kg         |
| 12pcs / Carton | 500*460*340mm          | 9.8kg        | 15.7kg        |

## Application

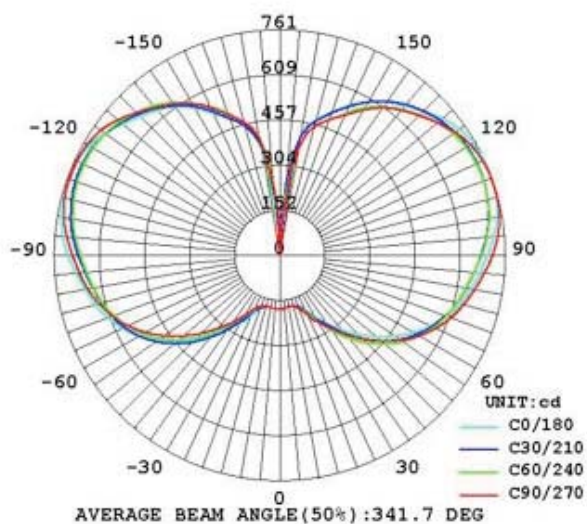




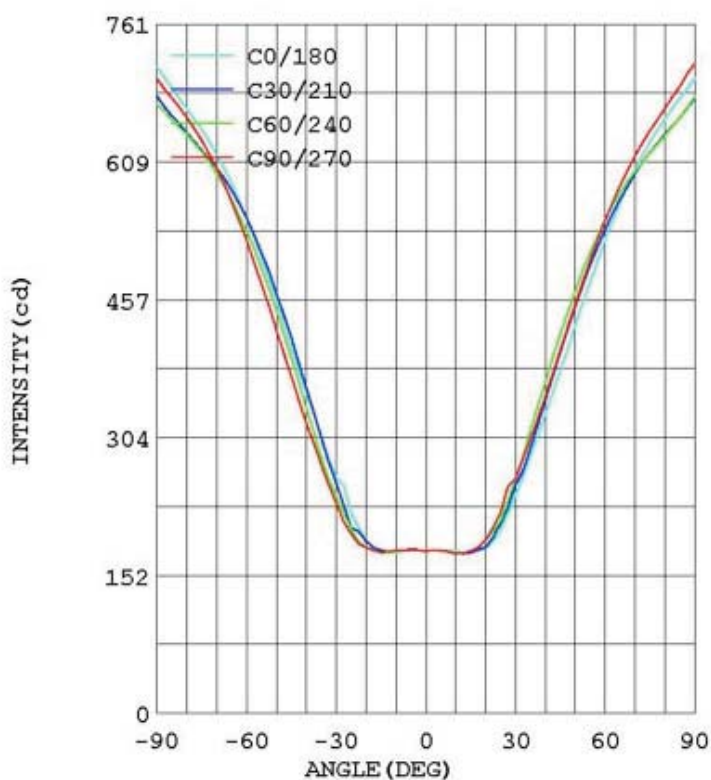
## Luminaire Photometric Test Report

|                  |        |                    |        |                   |       |
|------------------|--------|--------------------|--------|-------------------|-------|
| DATA OF LAMP     |        | Imax(cd)           | 761.0  | S/MH (C0/180)     | 2.97  |
| MODEL            |        | EFFICIENCY(%)      | 100.0  | S/MH (C90/270)    | 2.86  |
| NOMINAL POWER(W) | 60     | TOTAL FLUX(lm)     | 7290.8 | Voltage(V)        | 214.8 |
| RATED VOLTAGE(V) | 214    | EFFICIENCY(lm/W)   | 122.7  | Current(A)        | 0.295 |
| NOMINAL FLUX(lm) | 7290.9 | $\eta$ up(%)       | 58.1   | Power (W)         | 59.44 |
| LAMPS QUANTITY   | 1      | $\eta$ down(%)     | 41.9   | Power Factor (PF) | 0.936 |
| TEST VOLTAGE (V) | 214.9  | Effective Flux(lm) | 7290.6 | EEL               | 0.111 |

LUMINOUS INTENSITY DISTRIBUTION



LUMINOUS INTENSITY DISTRIBUTION



## Environment

Body Temperature



Ta=25°C

Tc. Max: 60°C

|                        |                           |
|------------------------|---------------------------|
| Working Temp.          | -20 ~ 45°C                |
| Working Humidity       | <80% RH, (non-condensing) |
| Storage Temp.,Humidity | -40 ~ 55°C, <90% RH       |

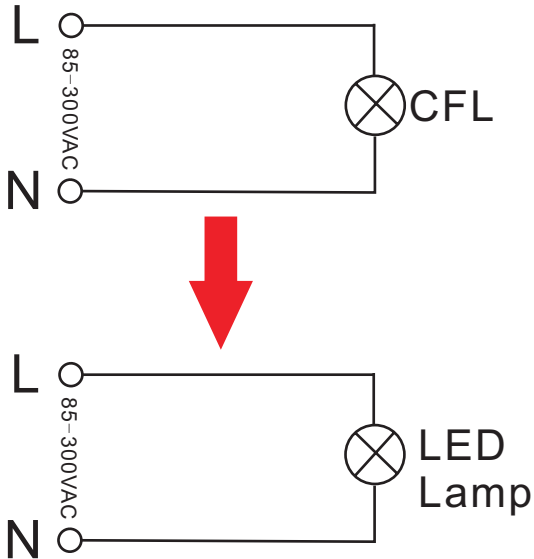
**Cautions:** No unventilated application

✦ Application in enclosed fixtures may speed up lumen depreciation and shorten lamp life. ①

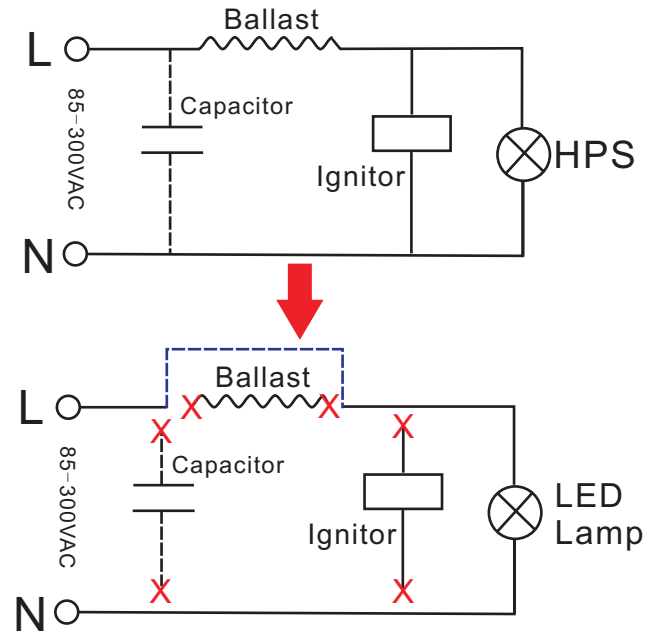


## Installation

### Replace CFL



### Replace HPS

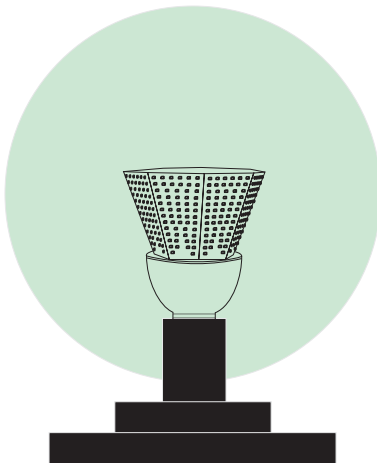


### Note:

- ✦ Don't take the LED lamp apart
- ✦ Recommend indoor use
- ✦ The LED lamp must work under the right voltage according to the specification
- ✦ **Not suitable for dimmers or electronic switches or remote controls**
- ✦ Application in enclosed fixtures may speed up lumen depreciation and shorten lamp life

### Cautions ①

When the products are used in the **enclosed fixtures**. Pay attention to the size of the confined space and keep well ventilated. Ensure the lamp has enough space for heat dissipation which ensures lumen maintenance and extends its working life.



When 60W led torch lighti sused in confined space, the fixture's diameter must be more than **26"**