

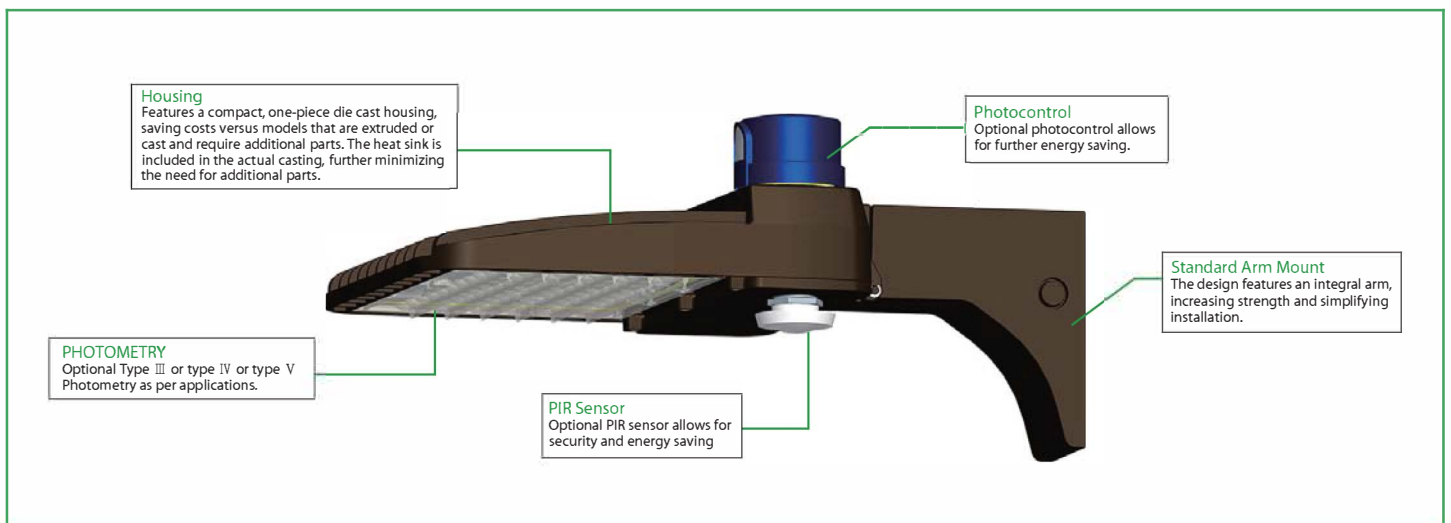


Applications:

Auto dealerships, parking lots, walkways, roadways, campuses, facade lighting, grocery stores and other public areas.

Features


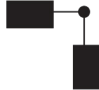



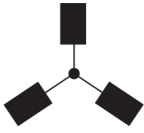
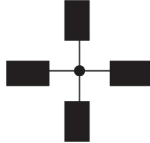
- The one piece die-cast aluminum housing with UV resistant polycarbonate optical lens, outstanding corrosion protection.
- Lumen output 17000lm.
- Various distribution patterns including Type III and Type IV and Type V
- Suitable for mounting heights ranging from 26-40' in area lighting applications
- Round pole- Square pole- slipfitter and wall mount
- Optional for photocell. Increase energy savings with bi-level motion sensor
- Voltage is 120-277V and support 0-10V dimmable
- Fixtures are IP66 rated and suitable for use in ambients from -40°C to 40 °C (-40 °F to 104 °F).
- Expected service life is over 100,000 hrs and 5 year limited warranty
- UL Wet location and DLC pending



PERFORMANCE DATA

		4000K(70CRI)					5000K(70CRI)				
SYSTEM WATTS	DIST. TYPE	LUMENS	LPW	B	U	G	LUMENS	LPW	B	U	G
150W	3	17000lm	113 lm/W	3	2	2	17000lm	113 lm/W	3	2	2
	4	17000lm	113 lm/W	3	2	3	17000lm	113 lm/W	3	2	3
	5	17000lm	113 lm/W	4	2	2	17000lm	113 lm/W	4	2	2

EPA OF AREA LIGHT

Item							
	1	2 @90°	2 @120°	2@180°	3 @90°	3 @120°	4 @90°
150W	0.597	0.672	1.062	1.025	1.027	1.063	1.027

ELECTRICAL DATA

Number Of Drivers	Driver Current (Amps)	Nominal Power (W)	INPUT VOLTAGE (V)	CURRENT (Amps)
1	3800	150	120	1.25
		150	208	0.72
		150	240	0.63
		150	277	0.54

MOUNTING

- Standard versatile mounting arm accommodates multiple drilling patterns as well as square and round poles
- Wall Mount available for direct wall mounting and J-box mounting
- Optional for cast aluminum slipfitter mounting adapter

Mounting Options



Arm Mount (4" and 5" Square and Round poles)
Standard versatile mounting arm is simple to install and can be used with existing poles for retrofit installations.

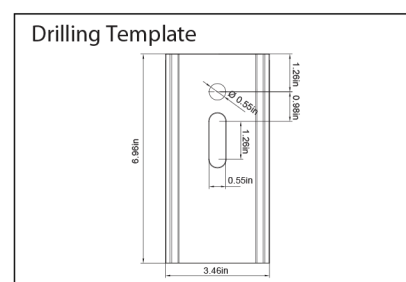
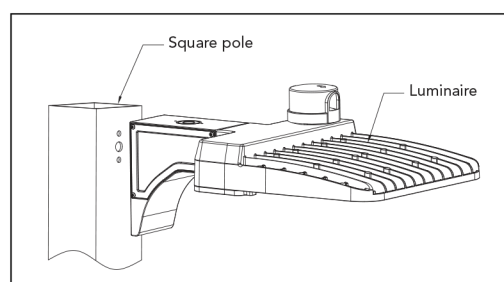
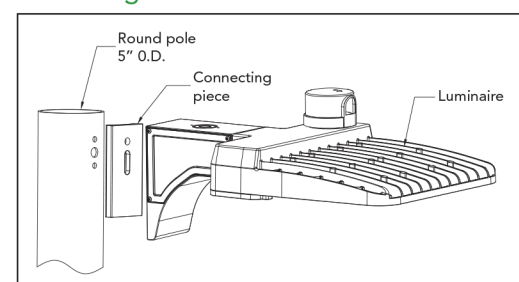


Slipfitter Mount
An optional cast aluminum mast arm adapter secures fixture head to nominal 2"(2-3/8" O.D. pipe size) horizontal steel tenon arm.



Wall Mount
Wall Mount is easy to install for direct wall mounting with 1/2' conduit wiring or standard J-box mounting

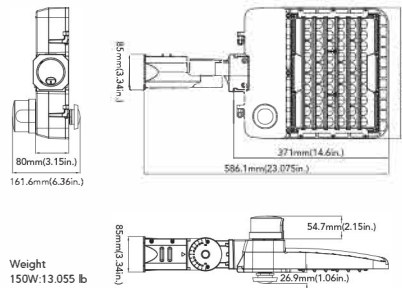
Mounting Dimensions



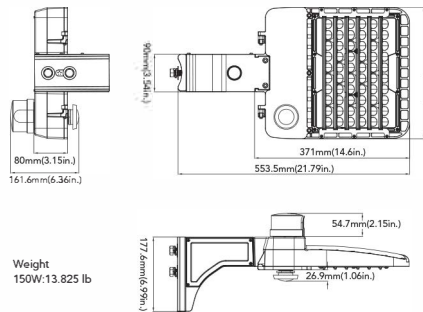
DIMENSION

unit: inch/mm

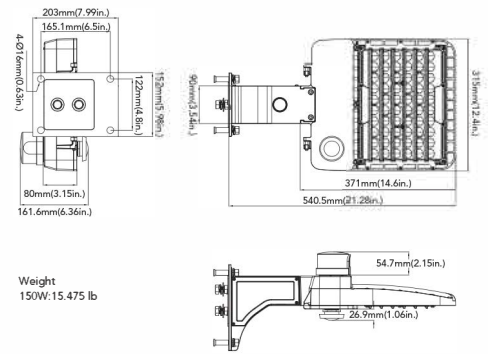
Slipfitter Mount



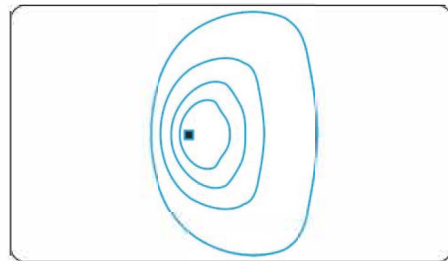
Pole Mount



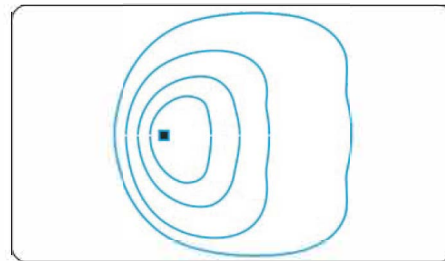
Wall Mount



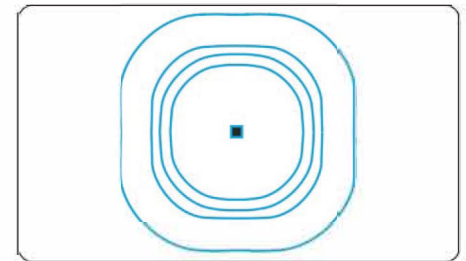
Type 3:
Type 3 optics produce an asymmetrical pattern that directs the majority of the light forward and equally on both sides of the luminaire. In a back-to-back



Type 4:
Type 4 is suitable for applications where light is primarily required forward, and minimal backlight is



Type 5:
Type 5 optics produce a symmetrical square pattern that distributes light equally on all sides of the luminaire. Type 5 luminaires



ORDERING GUIDE

Fixture Type	Wattage	Voltage	CCT	Finish	Photocell (Option)	Sensor (Option)	Mounting	Photometry
AL	150W	27V	XXK	Y	Y	Y	Y	Y
CCT-AL03 Area Light Series	150 150W	27V 120-277V	40K 4000K 50K 5000K	D Dark Bronze B Black W White	PO 120-277V Photocell Blank Without Photocell	M With 120-277V Sensor Blank Without Sensor	SQ Square Pole Mount SP Slipfitter Mount WM Wall Mount	T3 TYPE III Photometry T4 TYPE IV Photometry T5 TYPE V Photometry

ADDITIONAL MOUNTING ACCESSORIES

POLE BRACKET • For mounting one fixture on an existing pole	WALL BRACKET • Attaches to any flat surface • Provides wiring access
<p>4" Square Pole Mount with 2-3/8" O.D. Tenon No. 4SQ-SP-D Finish: Dark Bronze USE: For use with square, non-tapered steel and aluminum poles. Furnished with four 5/16" hex head stainless-steel bolts. Vertical tenon measures 2-3/8" O.D., and is made of steel tubing. Fixtures mounted to this bracket can be adjusted both vertically and horizontally.</p>	<p>90° Wall Mount Bracket with 2-3/8" O.D. Tenon NO. WM-SP-D Finish: Dark Bronze USE: The 90° wall mount bracket with 2-3/8" tenon attaches an floodlight to almost any surface: wall, roof, or wood pole. Provides wiring access and built-in 2-3/8" O.D. to mount a fixture with our adjustable slipfitter. Suggested 3/8" diameter bolts for mounting. Mounting holes are spaced 3-1/4" apart.</p>
<p>5" Square Pole Mount with 2-3/8" O.D. Tenon No. 5SQ-SP-D Finish: Dark Bronze USE: For use with square, non-tapered steel and aluminum poles. Furnished with four 5/16" hex head stainless-steel bolts. Vertical tenon measures 2-3/8" O.D., and is made of steel tubing. Fixtures mounted to this bracket can be adjusted both vertically and horizontally.</p>	
<p>Pole Bracket accessories-Tenon & Yoke Adaptor NO. SP-TR-D Finish: Dark Bronze USE: The 2-3/8" OD Mount Adaptor for Yoke Fixtures is designed to mount light fixtures that are equipped with a yoke mount onto a 2-3/8" OD. It may be utilized with the Flood Light Series of light fixtures.</p>	